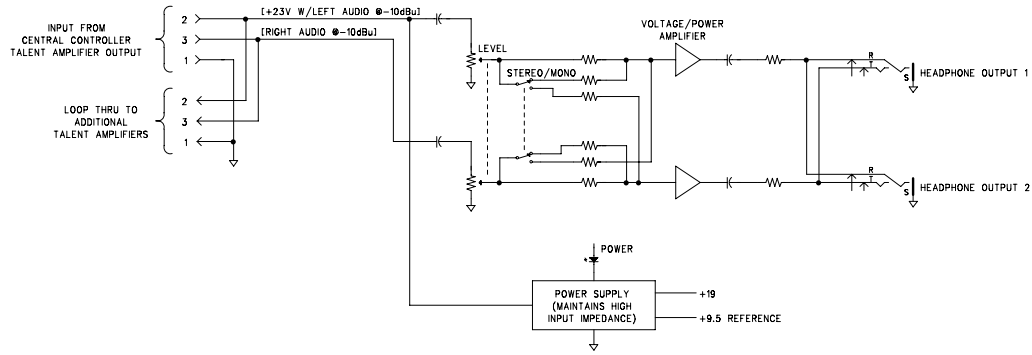
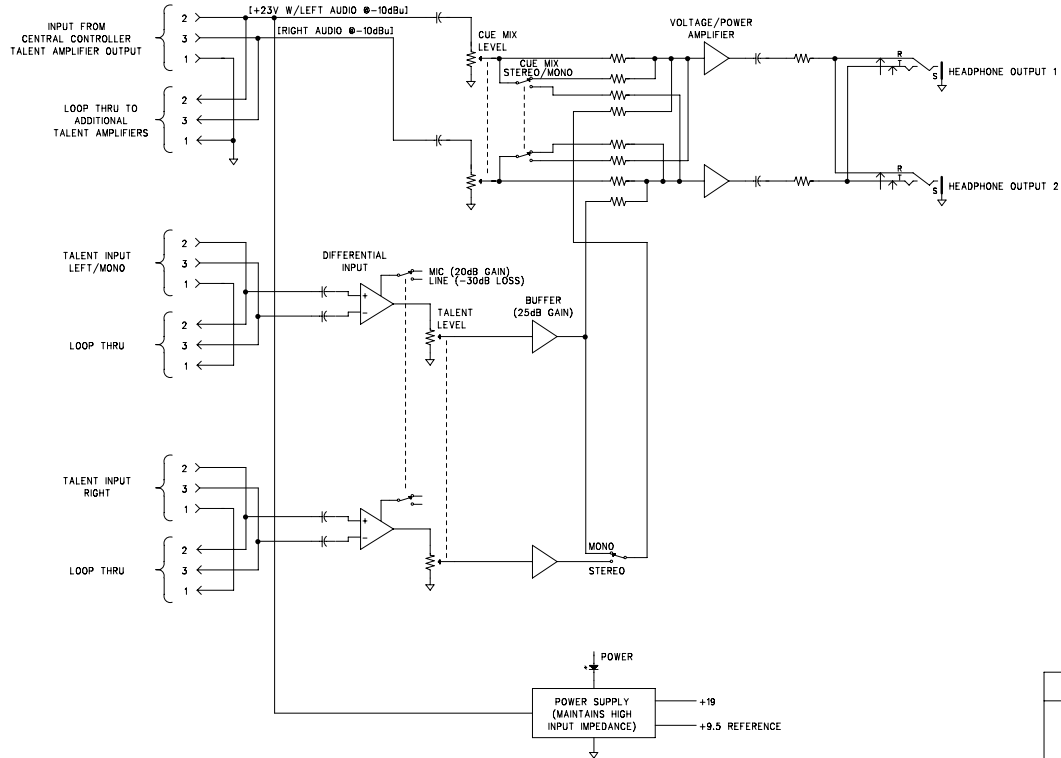


MODEL 35 TALENT AMPLIFIER



MODEL 38 TALENT AMPLIFIER



M3538BDC

STUDIO TECHNOLOGIES, INC.		
MODEL 35 AND MODEL 38 TALENT AMPLIFIERS BLOCK DIAGRAM		
DRAWING NO. 30312	DATE 12/03/96	PAGE 01 OF 01

(NOMINAL LEVEL IN dBu)