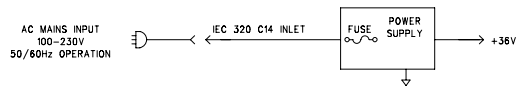
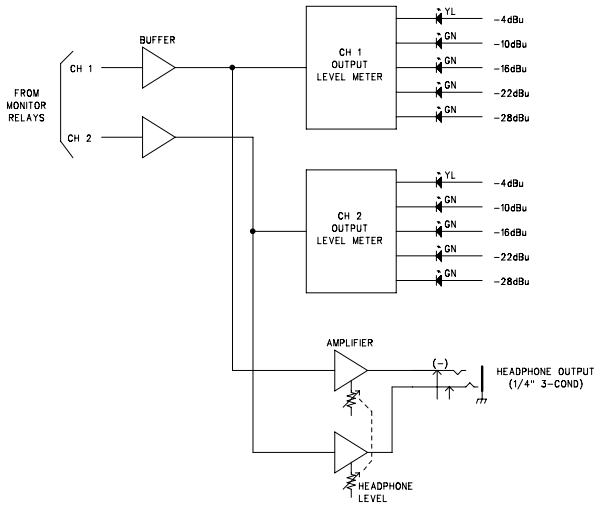
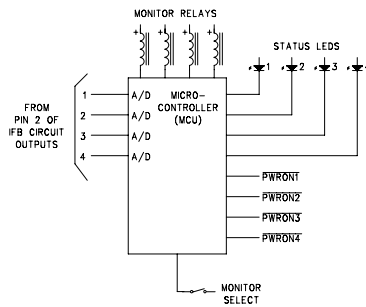
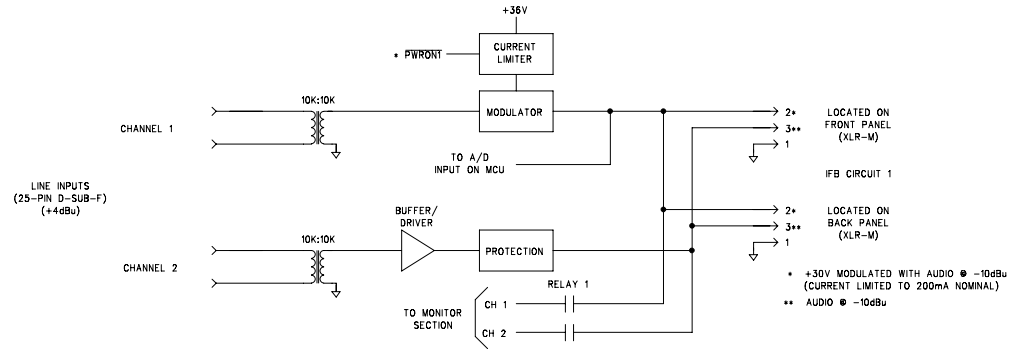


— CIRCUITRY IDENTICAL FOR IFB CIRCUITS 2-4 —



M42ABD_A

STUDIO TECHNOLOGIES, INC.

MODEL 42A INTERFACE
BLOCK DIAGRAM

DRAWING NO.	DATE	PAGE
31395	04/10/08	01 OF 01