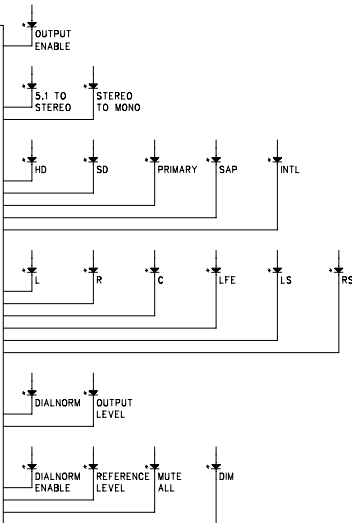
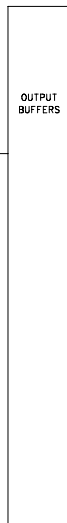
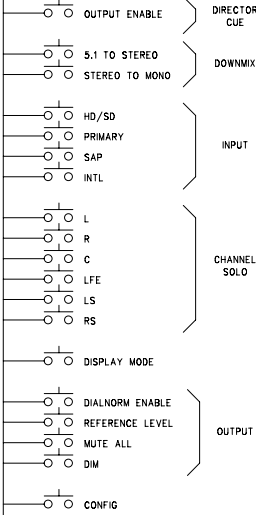
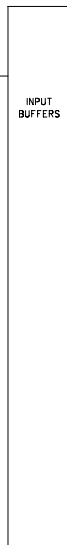
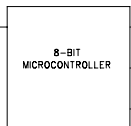
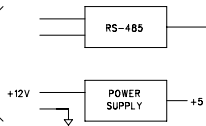


• FOR MODELS 76B AND 761 ONLY

STUDIO TECHNOLOGIES, INC.		
MODEL 76/76B/761 CENTRAL CONTROLLER BLOCK DIAGRAM		
DRAWING NO.	DATE	PAGE
31308	02/14/08	01 of 01

M76BD_C

TO/FROM
CENTRAL
CONTROLLER



M771BD_B

STUDIO TECHNOLOGIES, INC.		
MODEL 771 CONTROL CONSOLE BLOCK DIAGRAM		
DRAWING NO.	DATE	PAGE
31316	03/26/08	01 OF 01