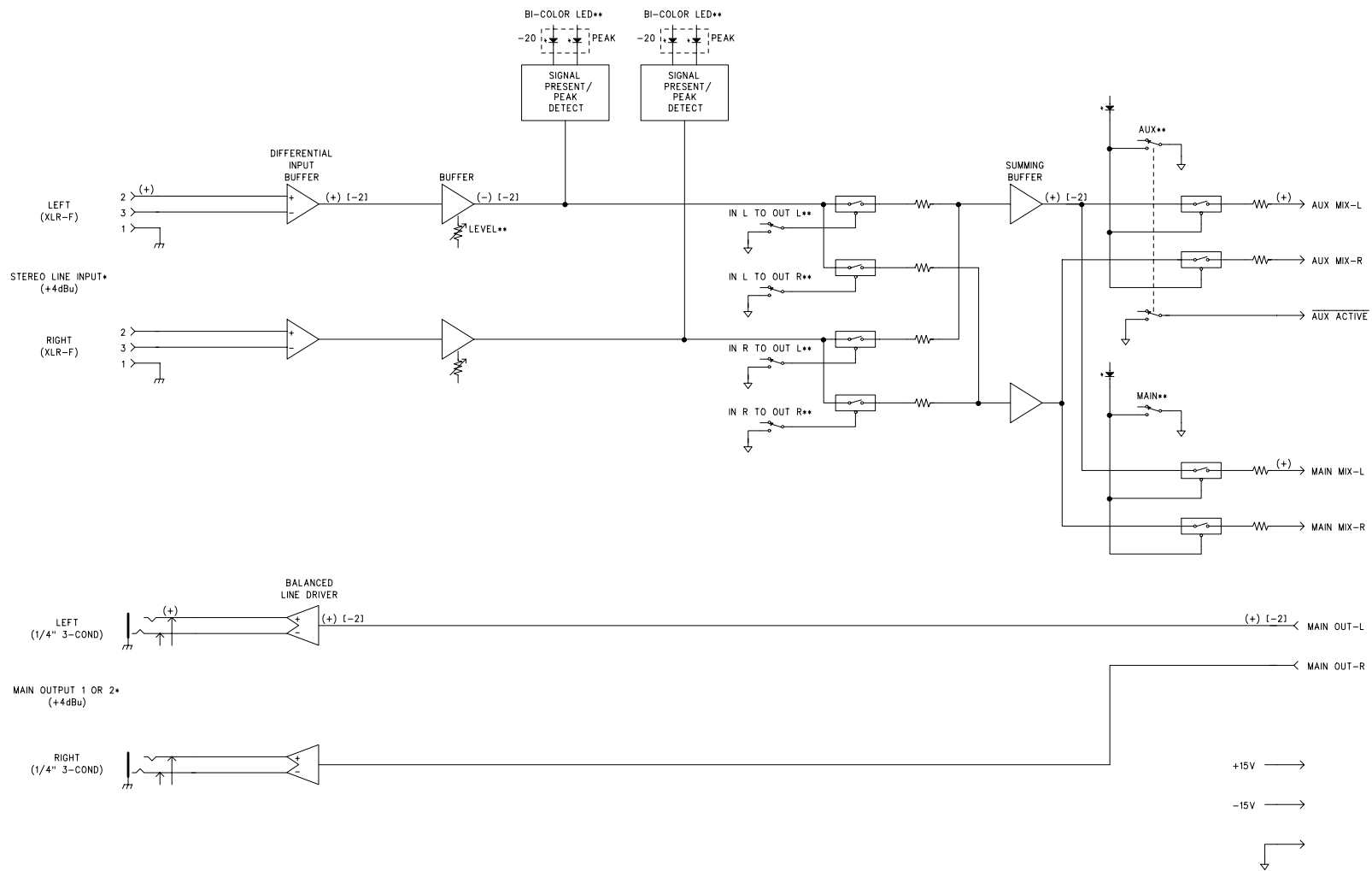


M750BD_C

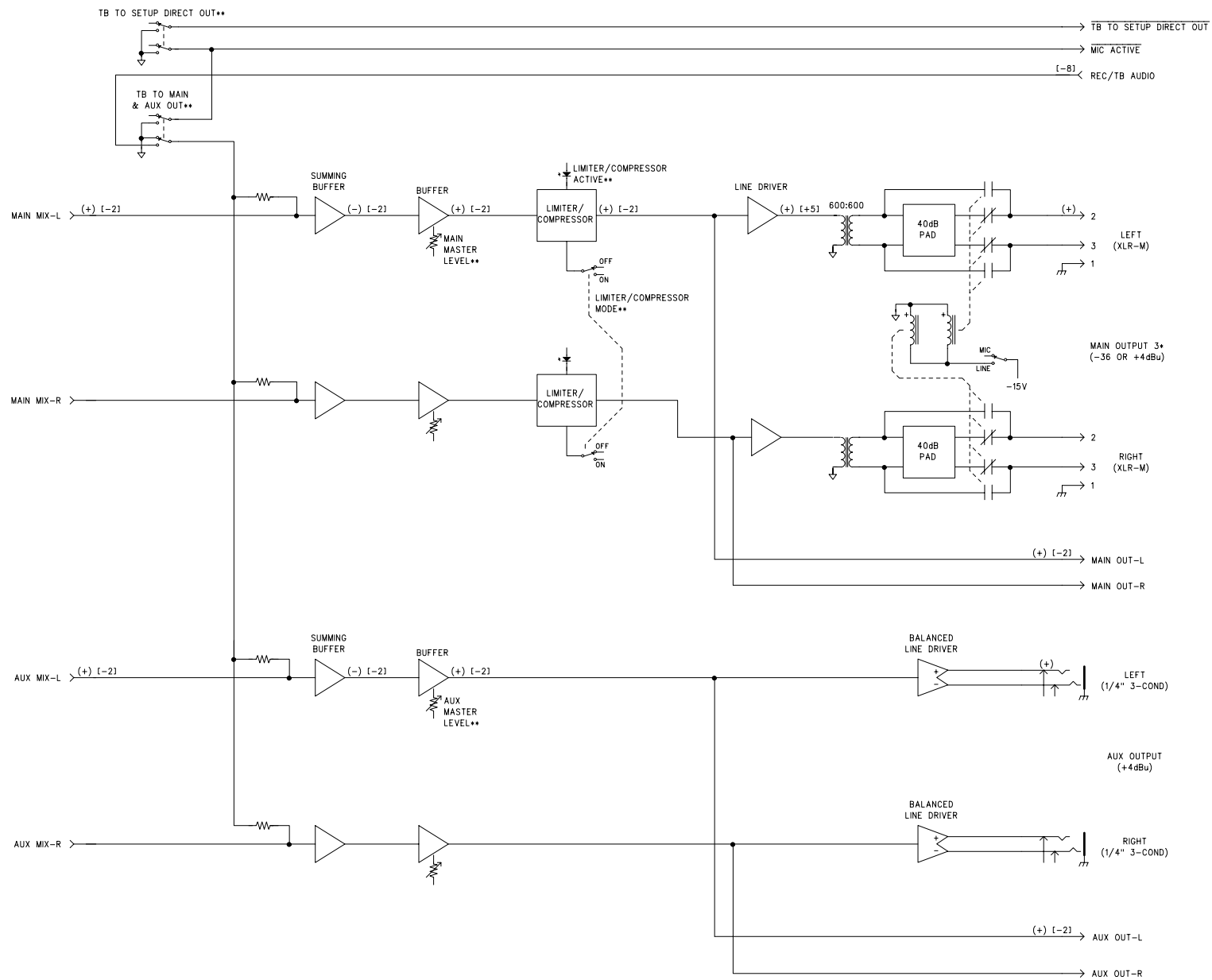
STUDIO TECHNOLOGIES, INC.		
MODEL 750 AUDIO MIXER MIC/LINE INPUT CARD BLOCK DIAGRAM		
DRAWING NO.	DATE	PAGE
30600	11/20/96	01 OF 07

* LOCATED ON BACK PANEL
 ** LOCATED ON FRONT PANEL
 (POLARITY VS INPUT)
 (NOMINAL LEVEL IN dBu)



• LOCATED ON BACK PANEL
 •• LOCATED ON FRONT PANEL
 (POLARITY VS INPUT)
 (NOMINAL LEVEL IN dBu)

STUDIO TECHNOLOGIES, INC.		
MODEL 750 AUDIO MIXER STEREO LINE INPUT CARD BLOCK DIAGRAM		
DRAWING NO.	DATE	PAGE
30600	11/20/96	02 OF 07



+15V →

-15V →



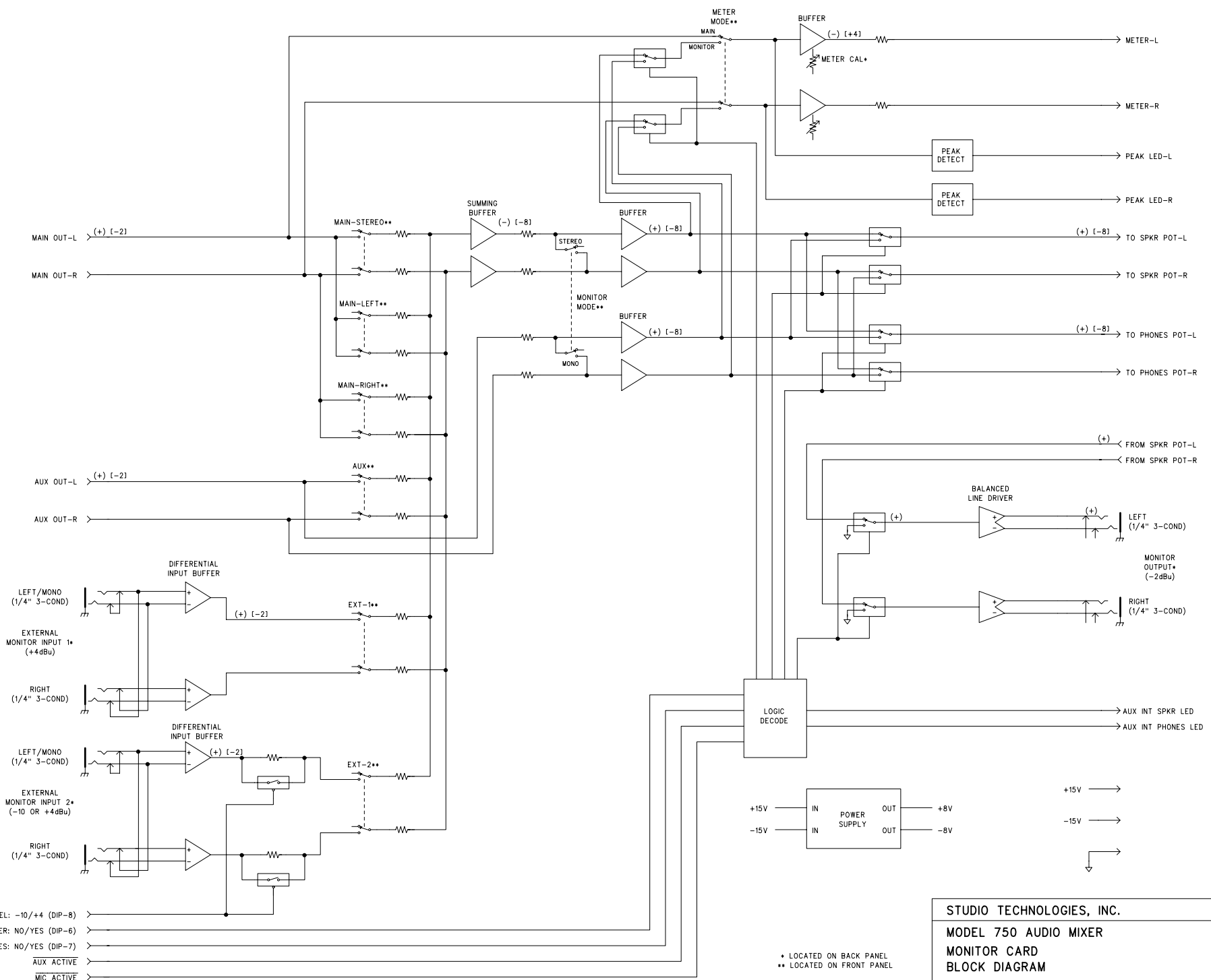
* LOCATED ON BACK PANEL
 ** LOCATED ON FRONT PANEL

(POLARITY VS INPUT)
 [NOMINAL LEVEL IN dBu]

STUDIO TECHNOLOGIES, INC.

MODEL 750 AUDIO MIXER
 MASTER OUTPUT CARD
 BLOCK DIAGRAM

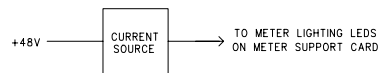
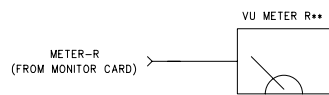
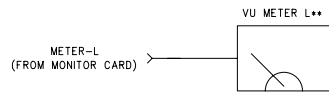
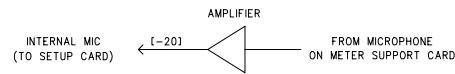
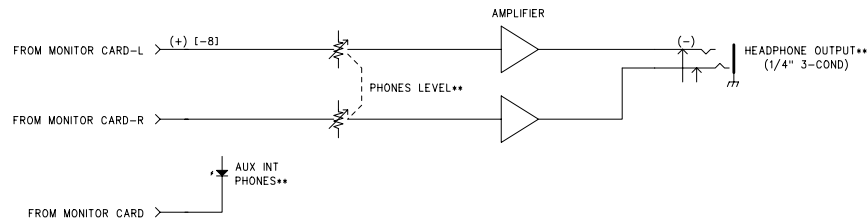
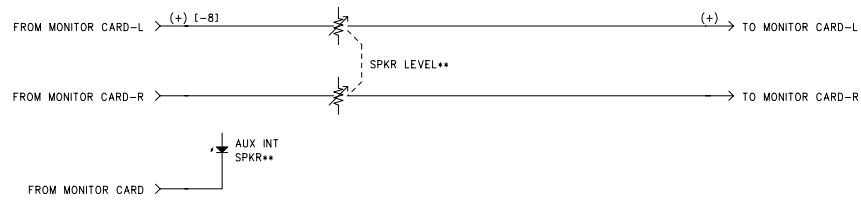
DRAWING NO.	DATE	PAGE
30600	11/20/96	04 OF 07



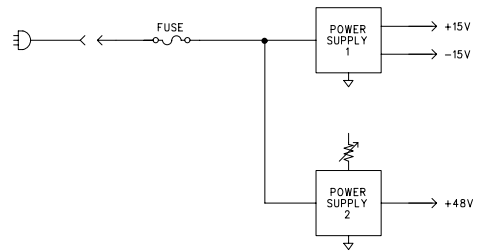
- EXT 2 INPUT LEVEL: -10/+4 (DIP-8)
- AUX INT SEAKER: NO/YES (DIP-6)
- AUX INT PHONES: NO/YES (DIP-7)
- AUX ACTIVE
- MIC ACTIVE

* LOCATED ON BACK PANEL
 ** LOCATED ON FRONT PANEL
 (POLARITY VS INPUT)
 (NOMINAL LEVEL IN dBu)

STUDIO TECHNOLOGIES, INC.		
MODEL 750 AUDIO MIXER		
MONITOR CARD		
BLOCK DIAGRAM		
DRAWING NO.	DATE	PAGE
30600	11/20/96	05 OF 07



AC MAINS
FACTORY CONFIGURABLE
FOR 100, 120, or 220/240V
50/60Hz OPERATION*



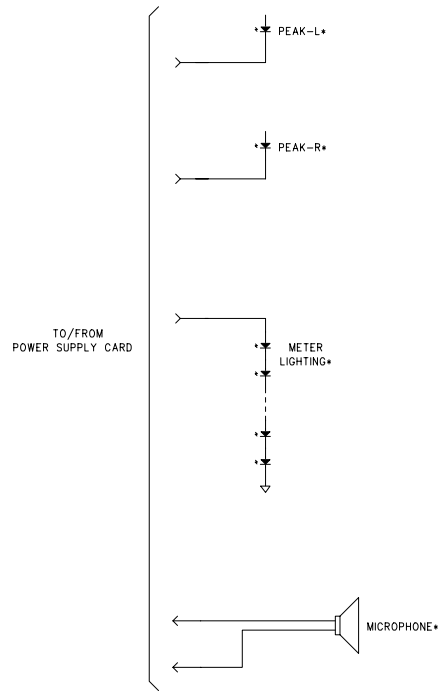
* LOCATED ON BACK PANEL
** LOCATED ON FRONT PANEL

(POLARITY VS INPUT)
[NOMINAL LEVEL IN dBu]

STUDIO TECHNOLOGIES, INC.

MODEL 750 AUDIO MIXER
POWER SUPPLY CARD
BLOCK DIAGRAM

DRAWING NO.	DATE	PAGE
30600	11/20/96	06 OF 07



* LOCATED ON FRONT PANEL

STUDIO TECHNOLOGIES, INC.		
MODEL 750 AUDIO MIXER		
METER SUPPORT CARD		
BLOCK DIAGRAM		
DRAWING NO.	DATE	PAGE
30600	11/20/96	07 OF 07