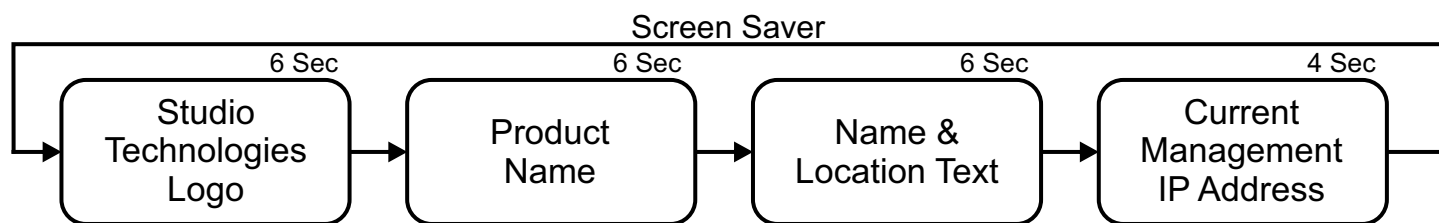
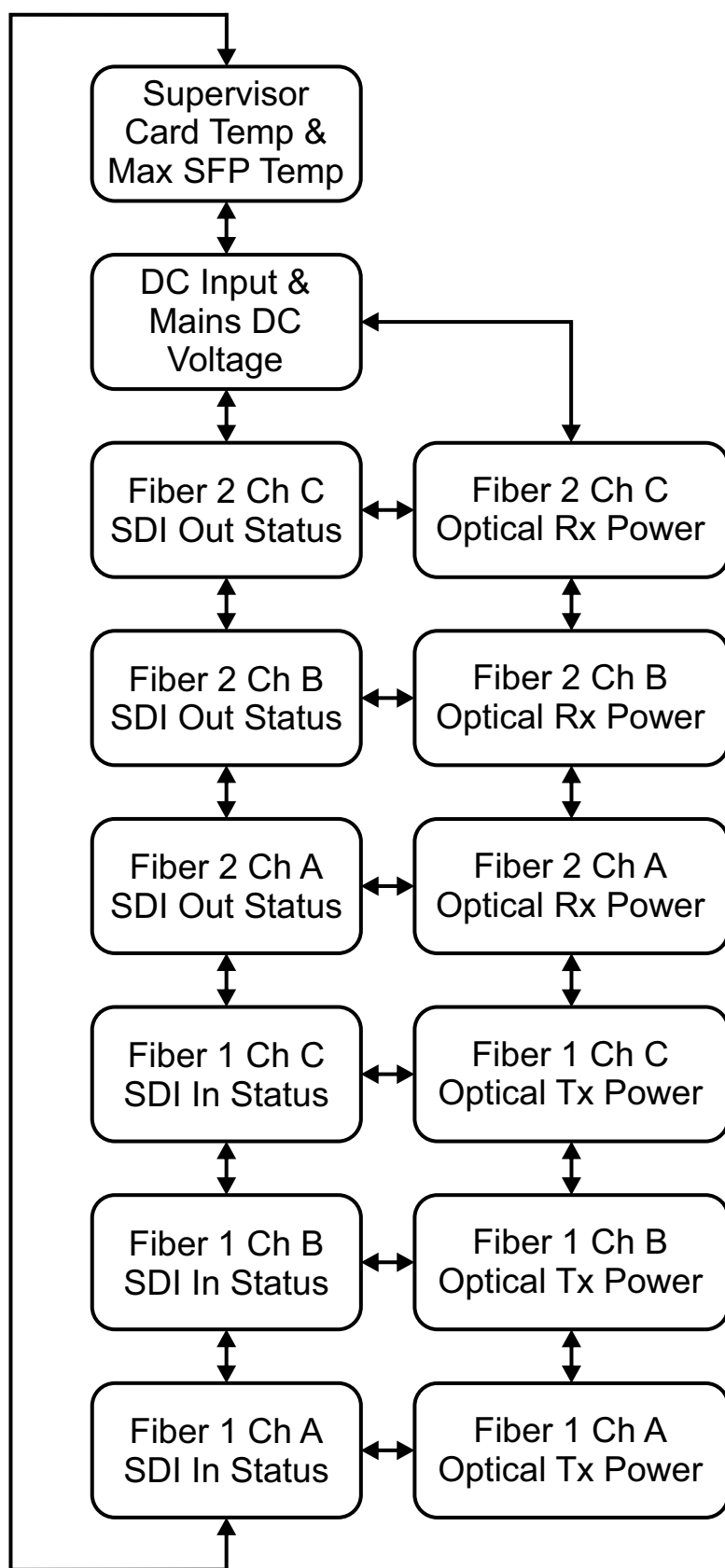
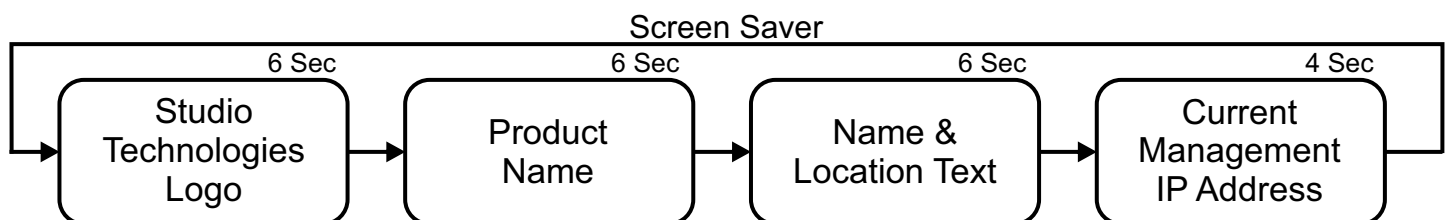
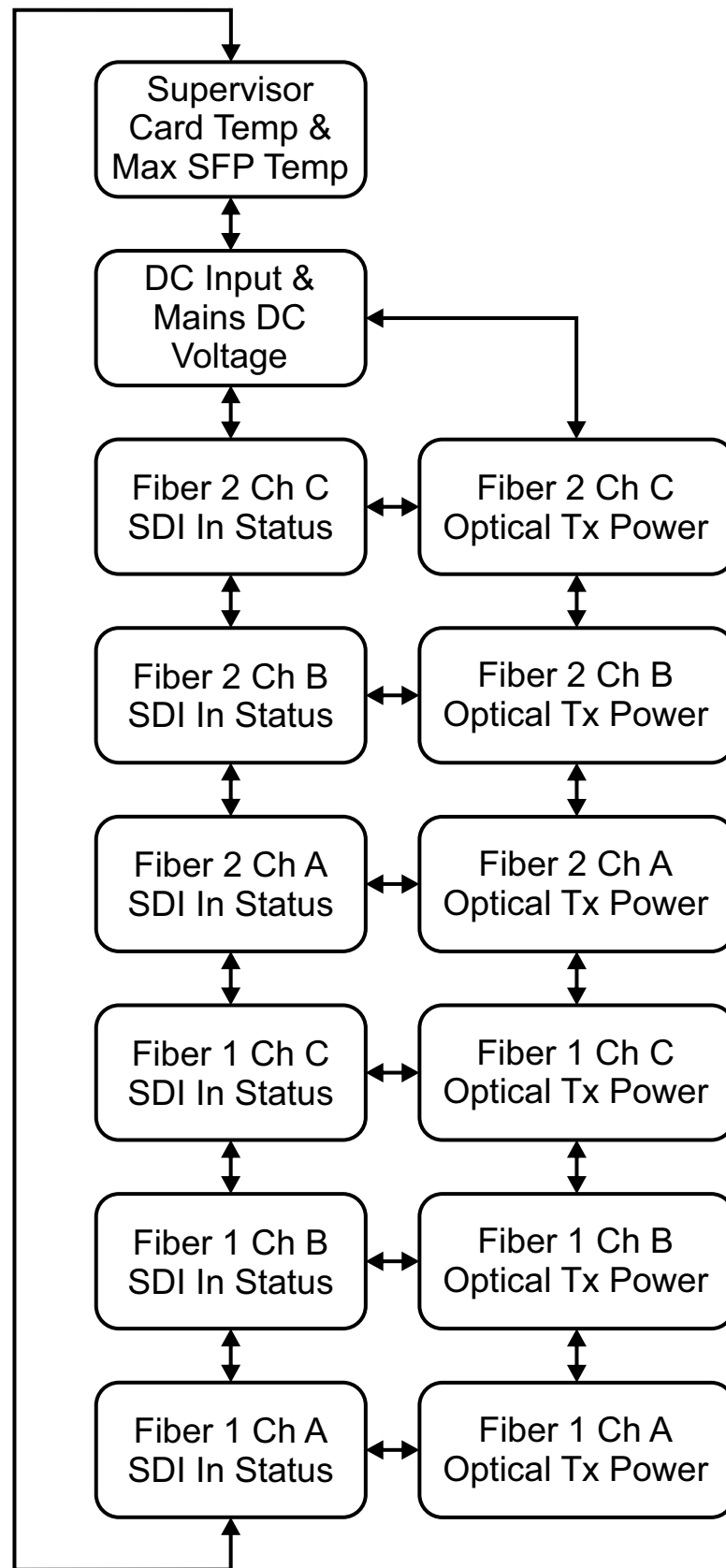


Model 400-3T/3R SDI-Over-Fiber Transport System Menu Structure



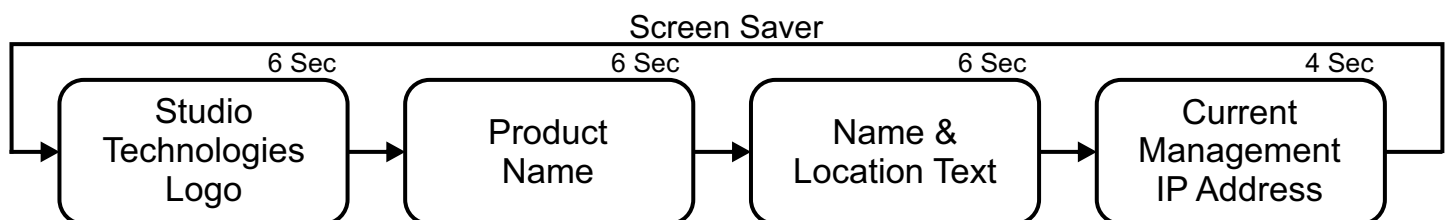
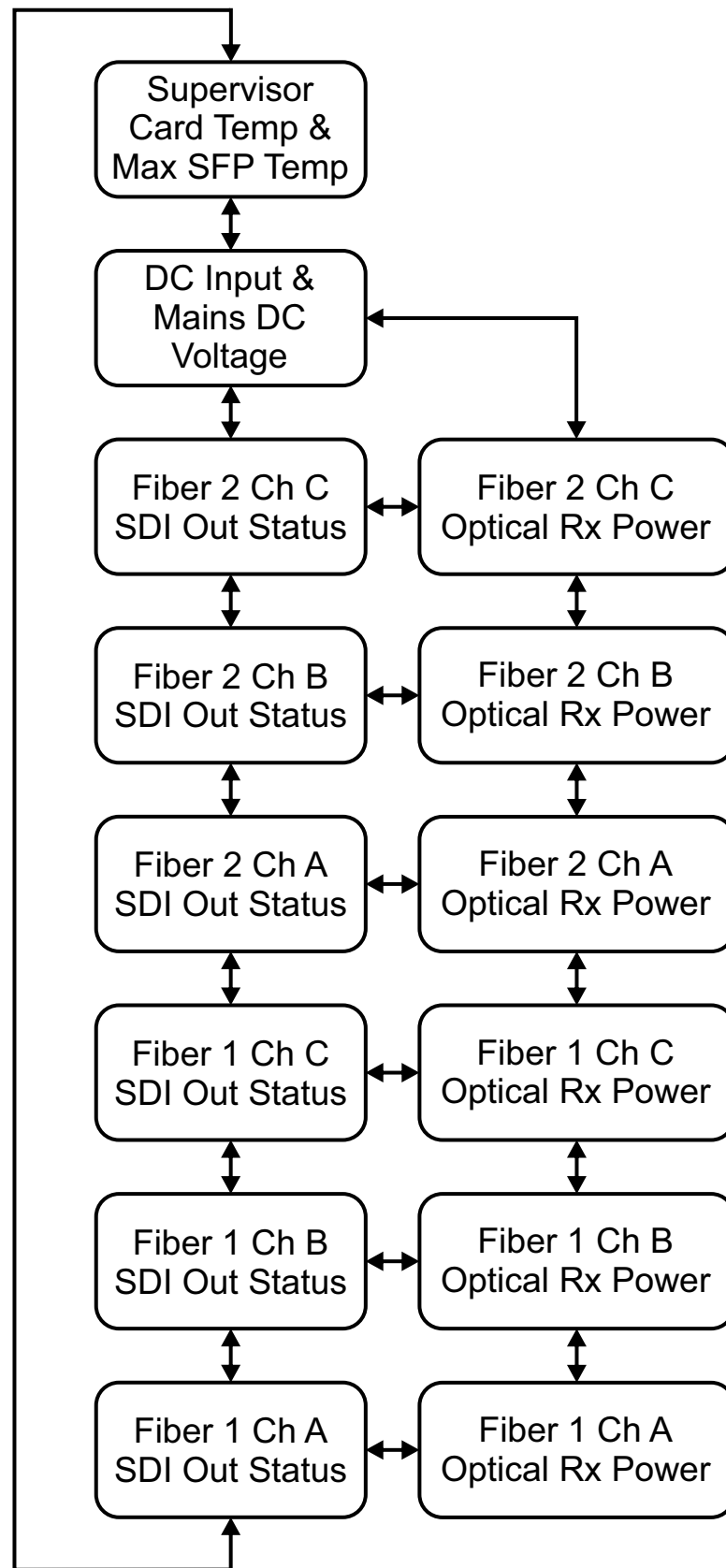
1. Screen saver automatically activates two minutes after last button press.
2. Press left and right buttons simultaneously to immediately enter screen saver mode.
3. Pressing Enter while screen saver is active goes directly to Current Management IP Address page.

Model 400-6T SDI-Over-Fiber Transport System Menu Structure



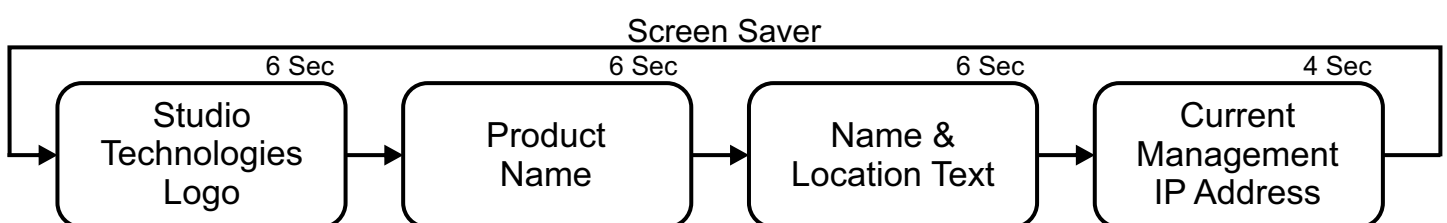
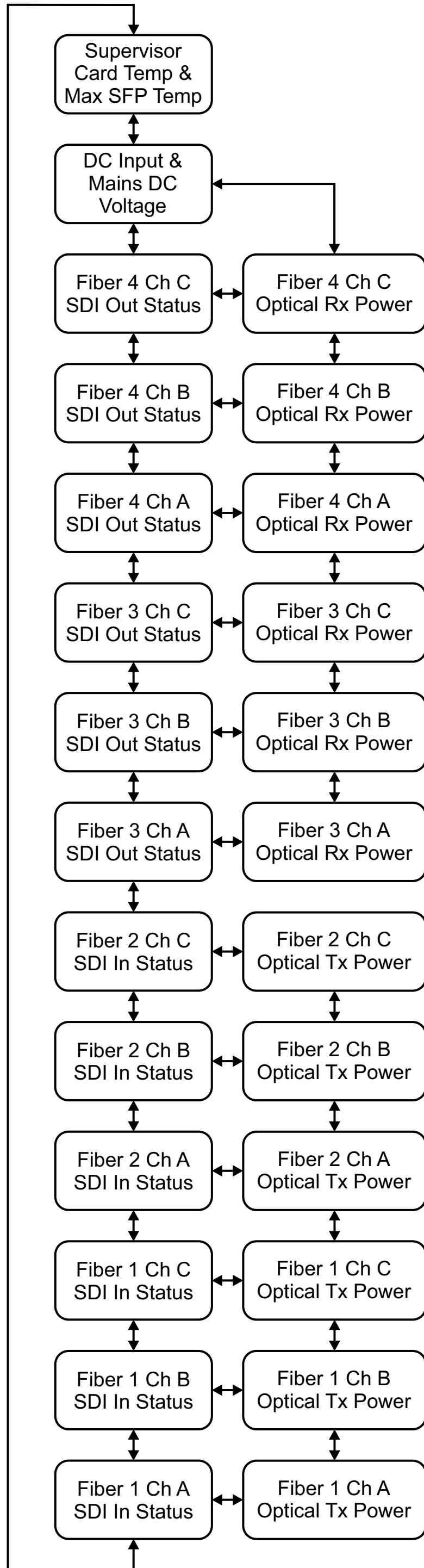
1. Screen saver automatically activates two minutes after last button press.
2. Press left and right buttons simultaneously to immediately enter screen saver mode.
3. Pressing Enter while screen saver is active goes directly to Current Management IP Address page.

Model 400-6R SDI-Over-Fiber Transport System Menu Structure



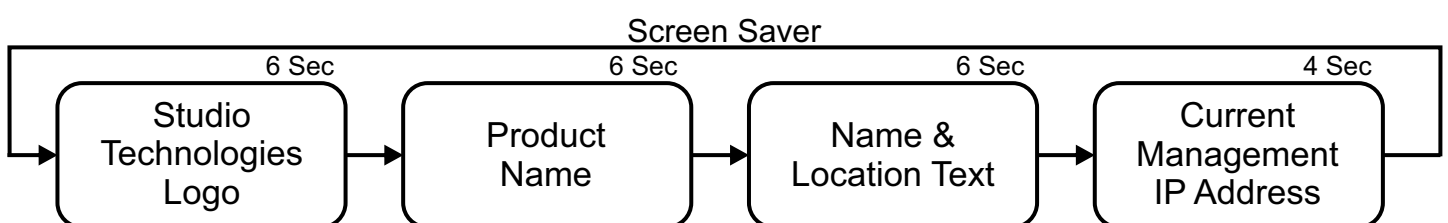
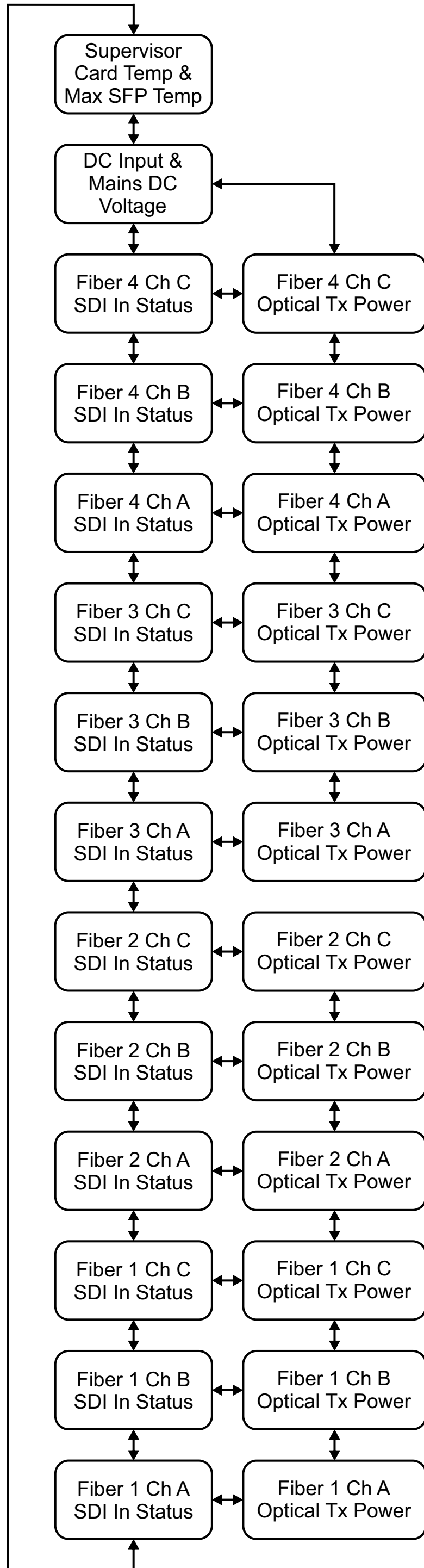
1. Screen saver automatically activates two minutes after last button press.
2. Press left and right buttons simultaneously to immediately enter screen saver mode.
3. Pressing Enter while screen saver is active goes directly to Current Management IP Address page.

Model 400-6T/6R SDI-Over-Fiber Transport System Menu Structure



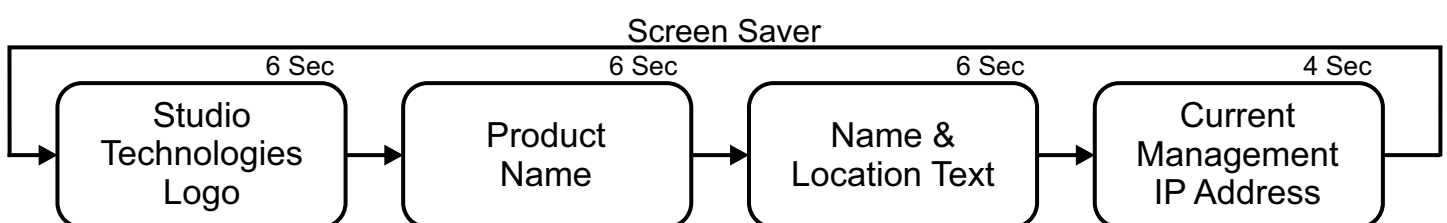
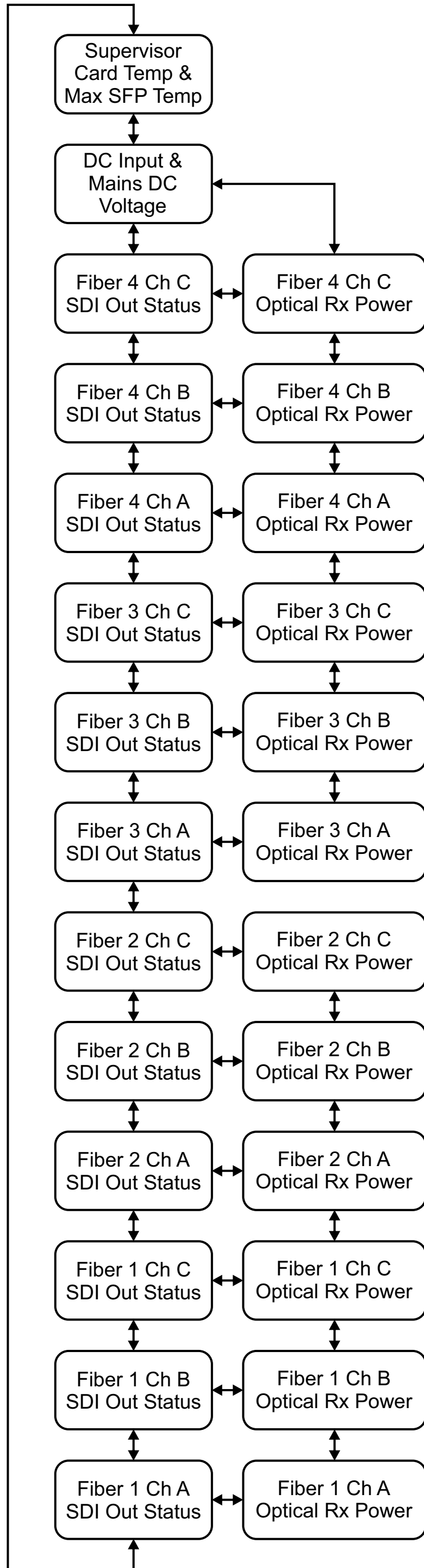
1. Screen saver automatically activates two minutes after last button press.
2. Press left and right buttons simultaneously to immediately enter screen saver mode.
3. Pressing Enter while screen saver is active goes directly to Current Management IP Address page.

Model 400-12T SDI-Over-Fiber Transport System Menu Structure



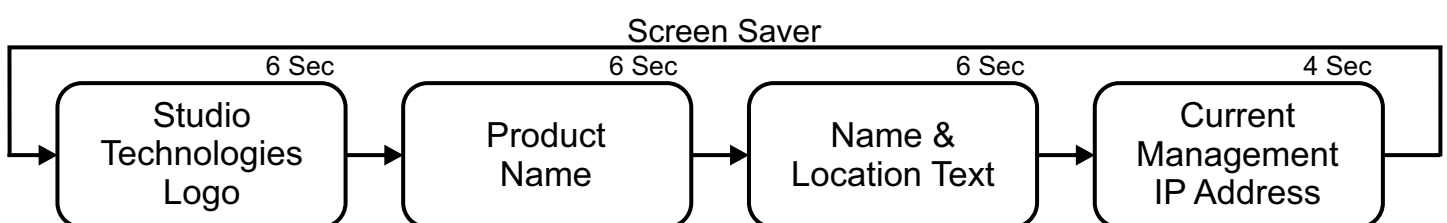
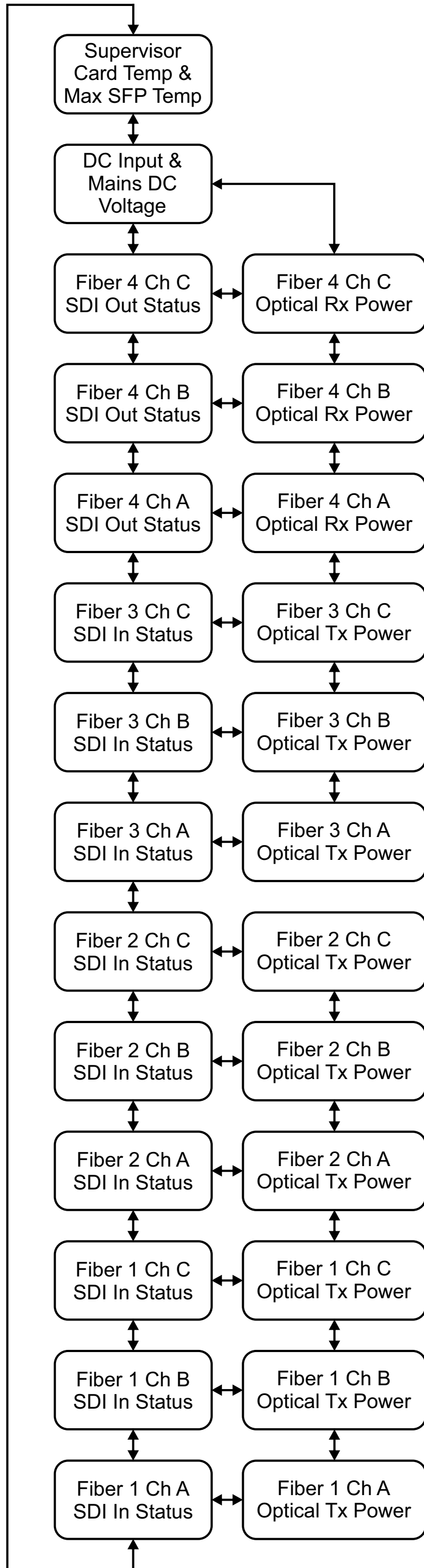
1. Screen saver automatically activates two minutes after last button press.
2. Press left and right buttons simultaneously to immediately enter screen saver mode.
3. Pressing Enter while screen saver is active goes directly to Current Management IP Address page.

Model 400-12R SDI-Over-Fiber Transport System Menu Structure



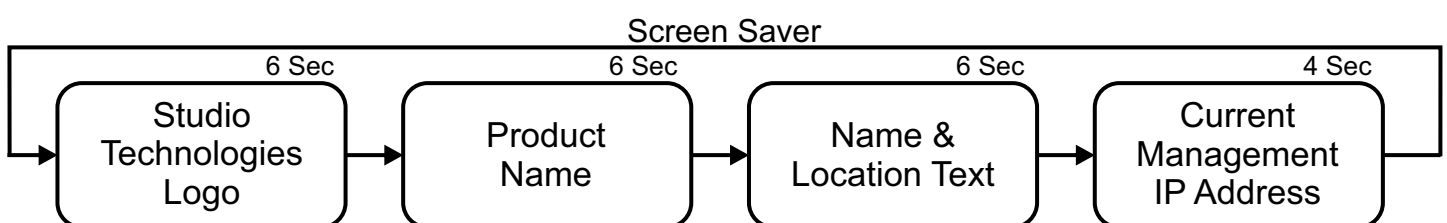
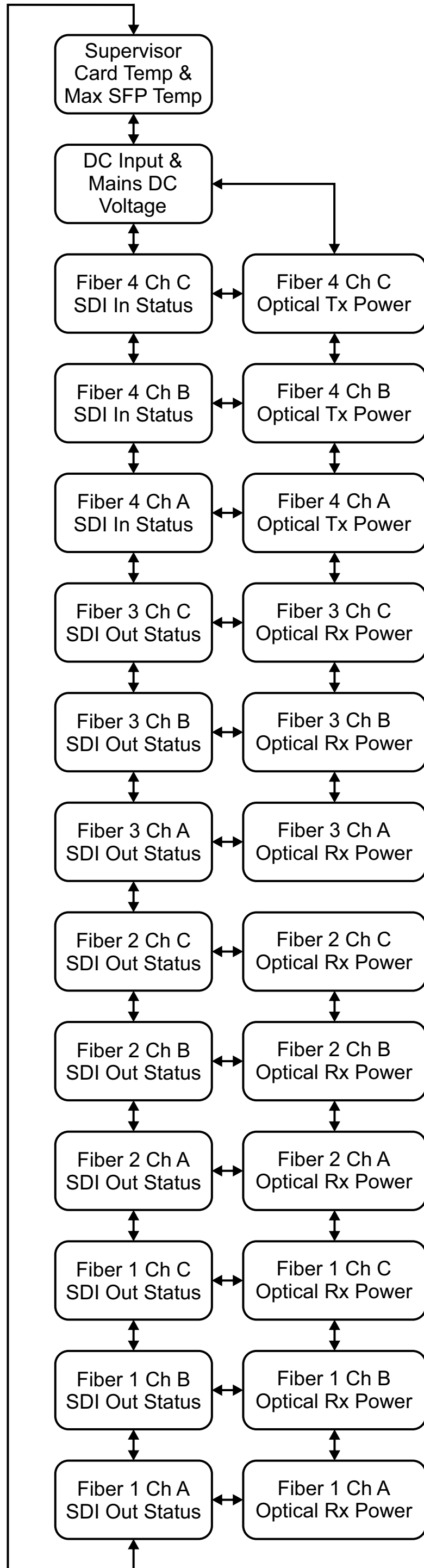
1. Screen saver automatically activates two minutes after last button press.
2. Press left and right buttons simultaneously to immediately enter screen saver mode.
3. Pressing Enter while screen saver is active goes directly to Current Management IP Address page.

Model 400-9T/3R SDI-Over-Fiber Transport System Menu Structure



1. Screen saver automatically activates two minutes after last button press.
2. Press left and right buttons simultaneously to immediately enter screen saver mode.
3. Pressing Enter while screen saver is active goes directly to Current Management IP Address page.

Model 400-3T/9R SDI-Over-Fiber Transport System Menu Structure



1. Screen saver automatically activates two minutes after last button press.
2. Press left and right buttons simultaneously to immediately enter screen saver mode.
3. Pressing Enter while screen saver is active goes directly to Current Management IP Address page.