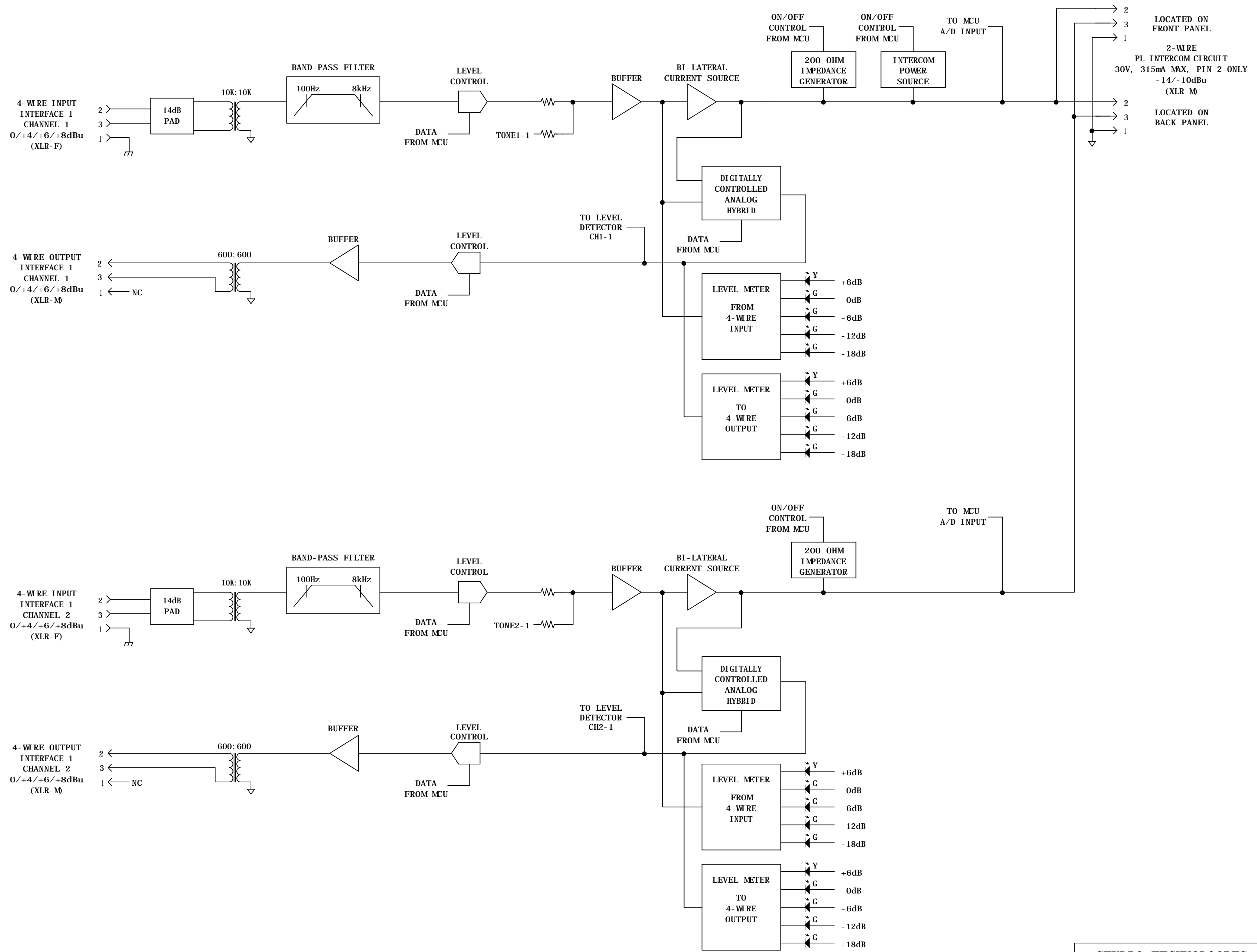
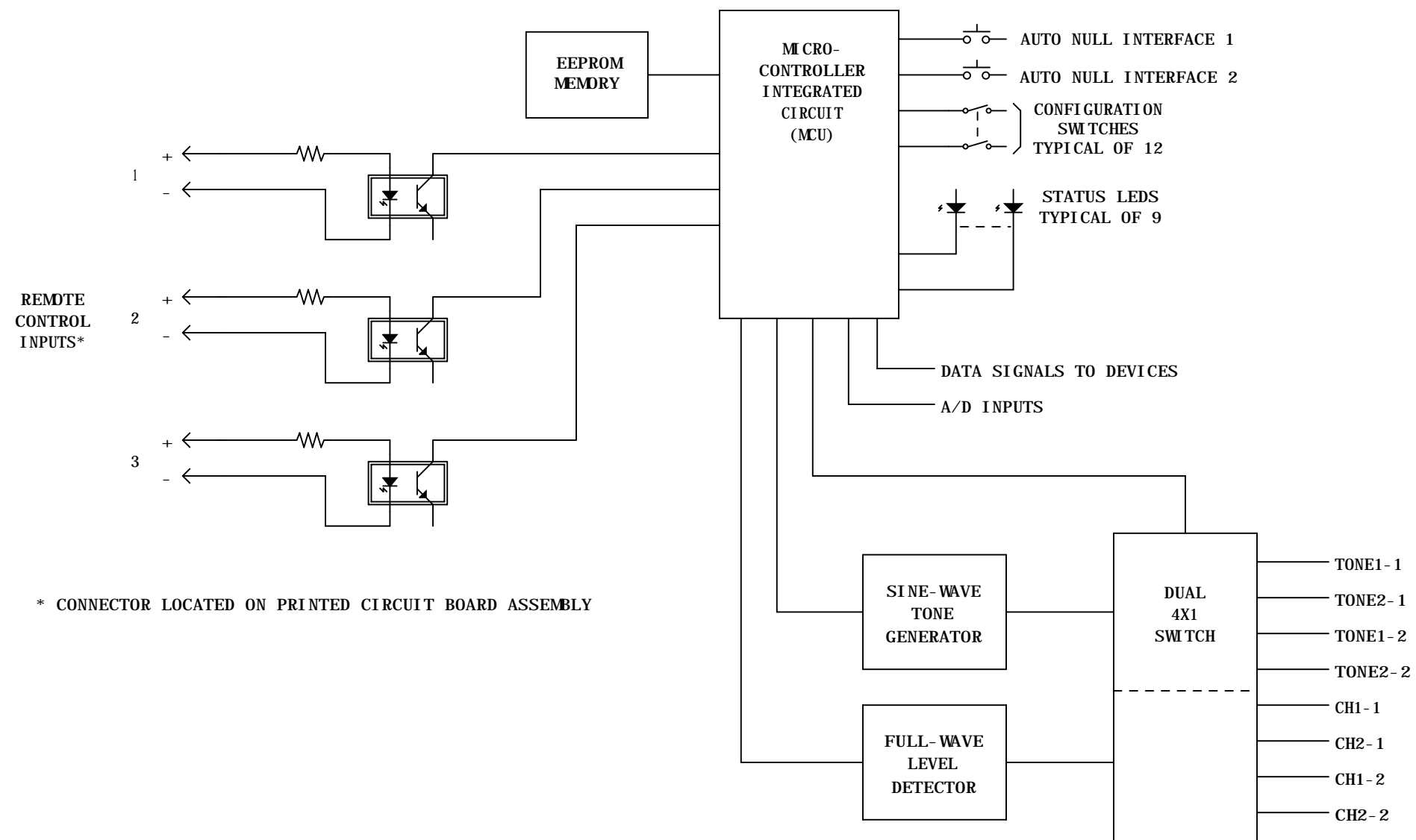


CIRCUITRY IDENTICAL FOR INTERFACES 1 & 2

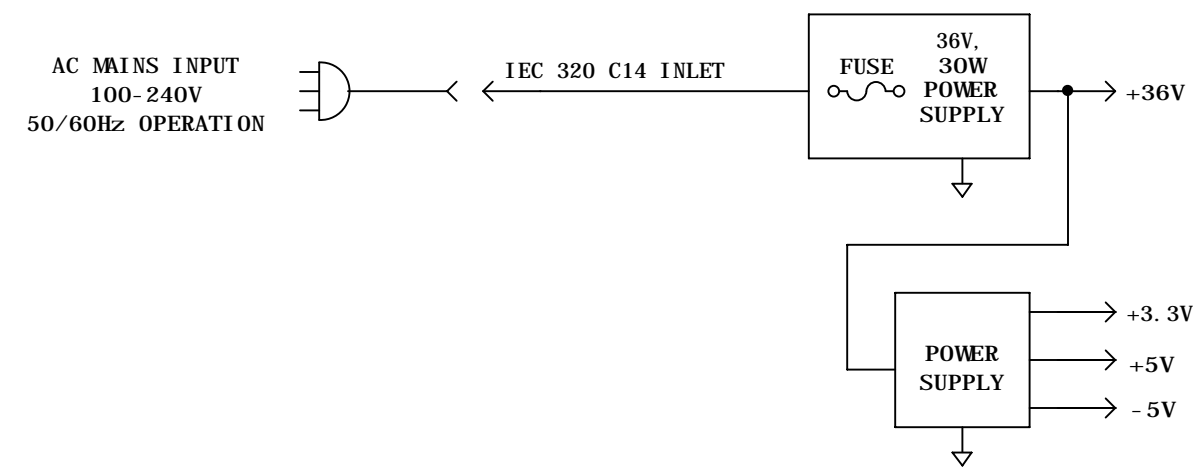


M6ABD_A

STUDIO TECHNOLOGIES, INC.		
MODEL 46A DUAL 2-WIRE ANALOG AUDIO TO 4-WIRE ANALOG AUDIO INTERFACE BLOCK DIAGRAM		
DRAWING NO.	DATE	PAGE
32038	09/24/14	01 OF 02



* CONNECTOR LOCATED ON PRINTED CIRCUIT BOARD ASSEMBLY



STUDIO TECHNOLOGIES, INC.		
MODEL 46A DUAL 2-WIRE ANALOG AUDIO TO 4-WIRE ANALOG AUDIO INTERFACE BLOCK DIAGRAM		
DRAWING NO.	DATE	PAGE
32038	09/24/14	02 OF 02