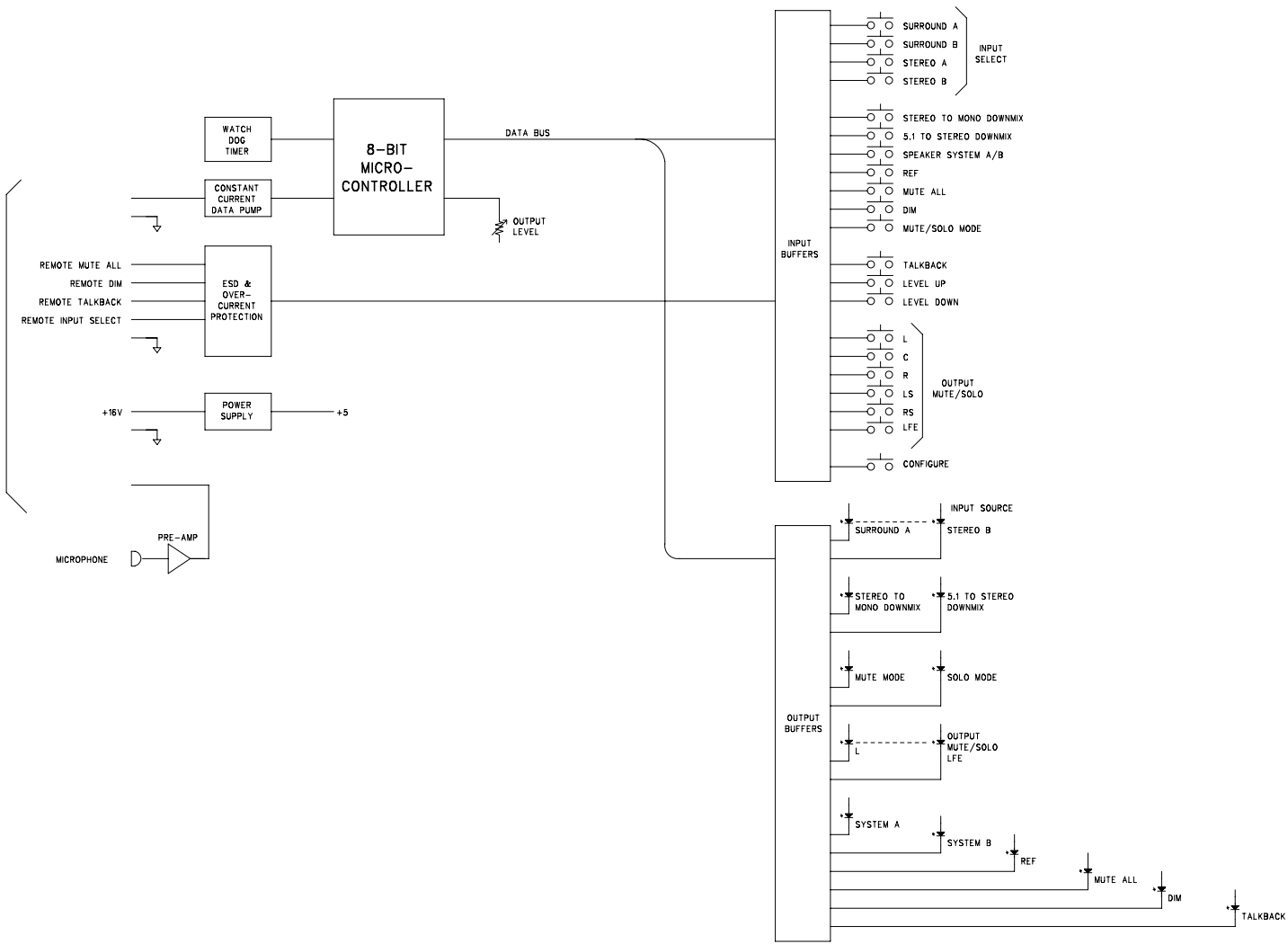


M74BD_B

STUDIO TECHNOLOGIES, INC.		
MODEL 74 CENTRAL CONTROLLER BLOCK DIAGRAM		
DRAWING NO. 31162	DATE 03/17/08	PAGE 01 OF 01

TO/FROM
MODEL 68A
CENTRAL
CONTROLLER
(9-PIN D-SUB)



M75BD_B

STUDIO TECHNOLOGIES, INC.		
MODEL 75 CONTROL CONSOLE BLOCK DIAGRAM		
DRAWING NO. 31168	DATE 01/10/06	PAGE 01 OF 01