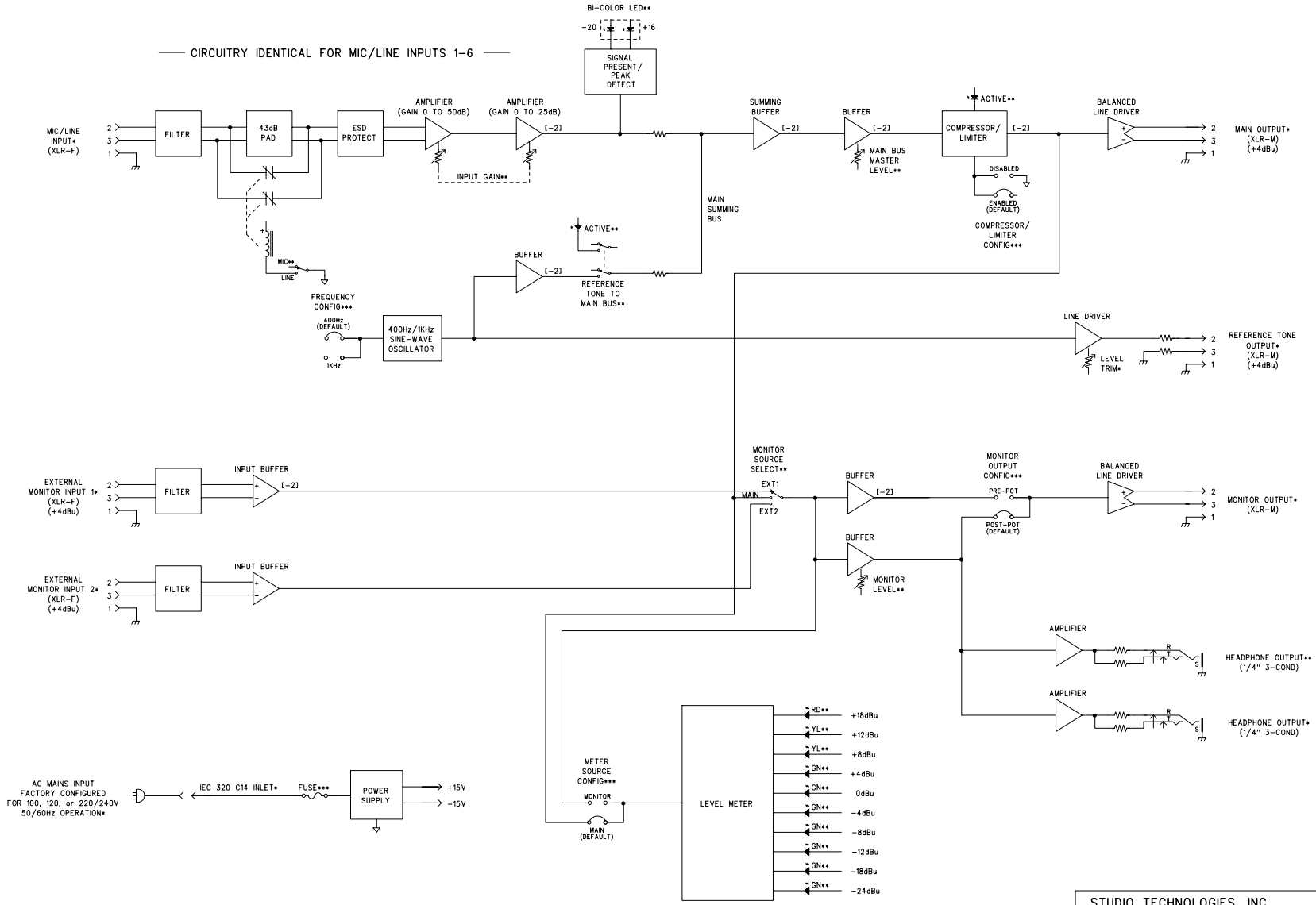


— CIRCUITRY IDENTICAL FOR MIC/LINE INPUTS 1-6 —



M740BD_B

STUDIO TECHNOLOGIES, INC.		
MODEL 740 AUDIO MIXER BLOCK DIAGRAM		
DRAWING NO.	DATE	PAGE
31110	04/29/04	01 OF 01

* LOCATED ON BACK PANEL
 ** LOCATED ON FRONT PANEL
 *** LOCATED ON PCB INSIDE ENCLOSURE
 (NOMINAL LEVEL IN dBu)