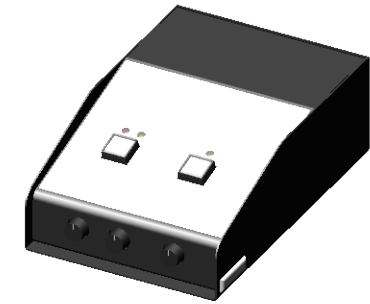
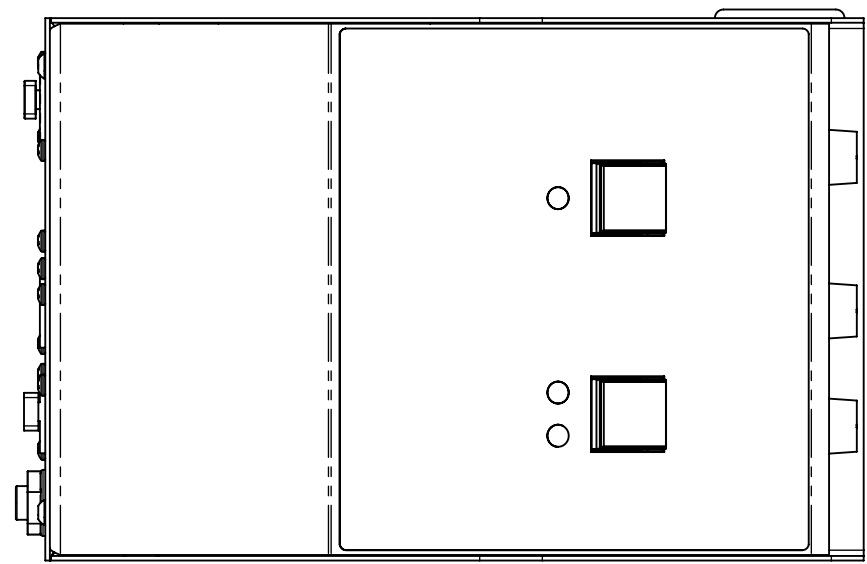
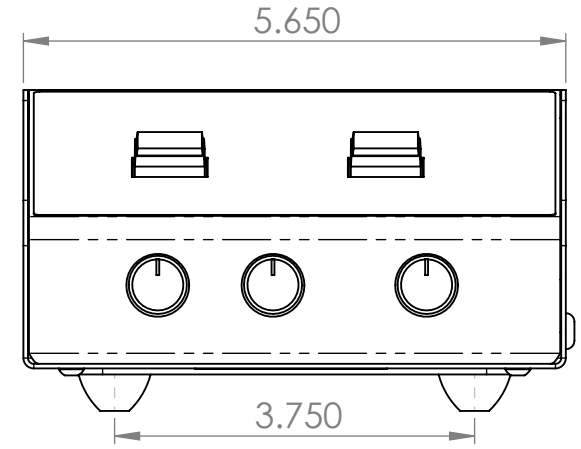
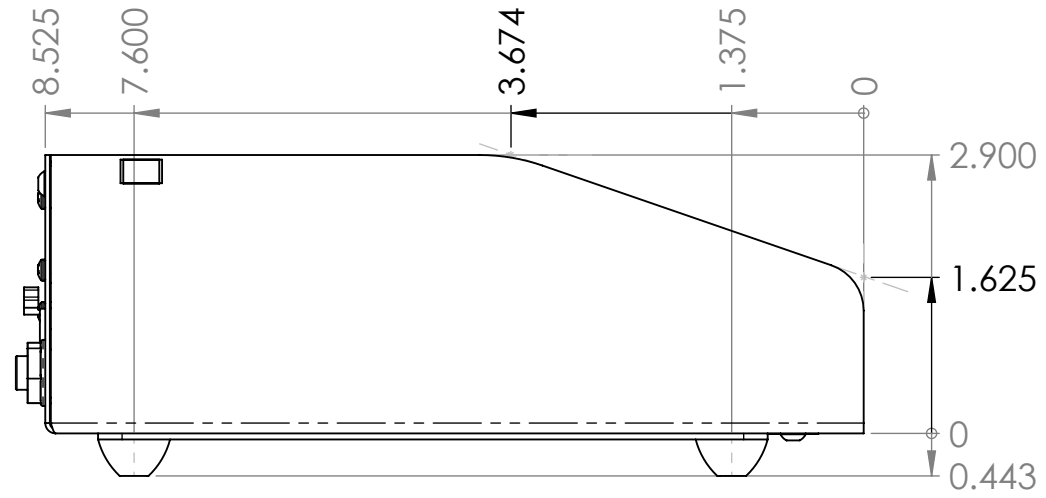


ECO	REV
3926	D



STUDIO TECHNOLOGIES, INC

MODEL 214  
CUSTOMER OUTLINE

DRAWN BY O'CONNELL