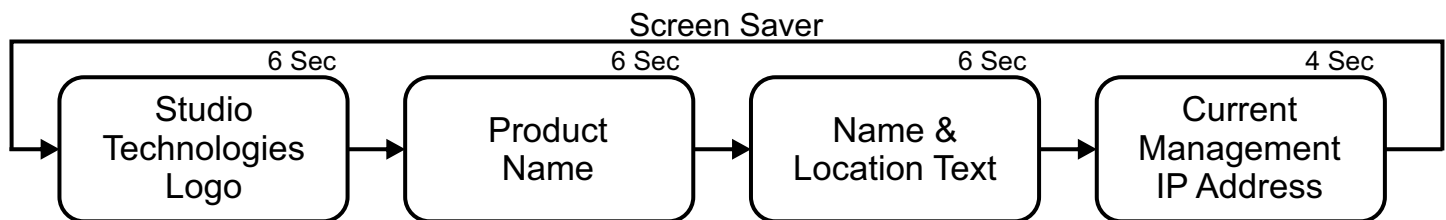
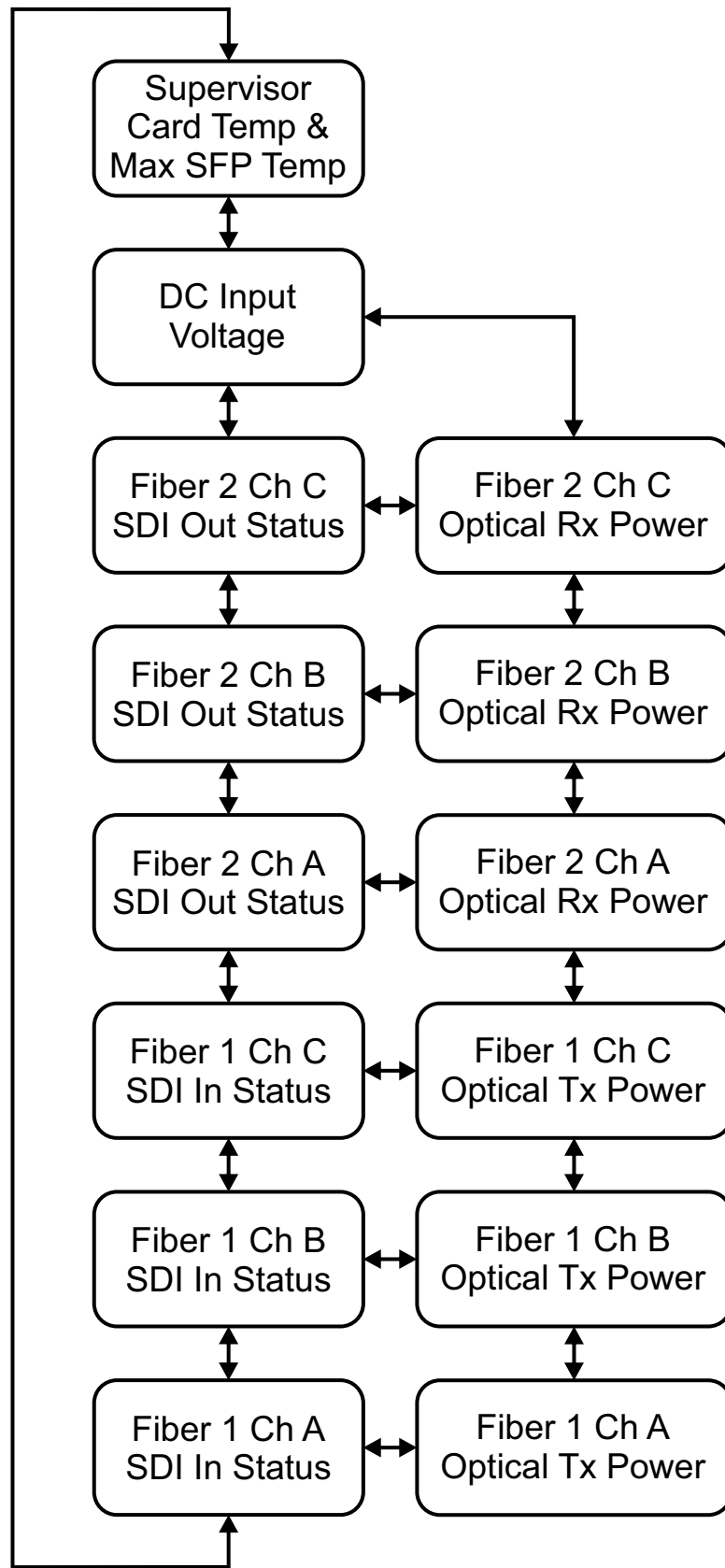
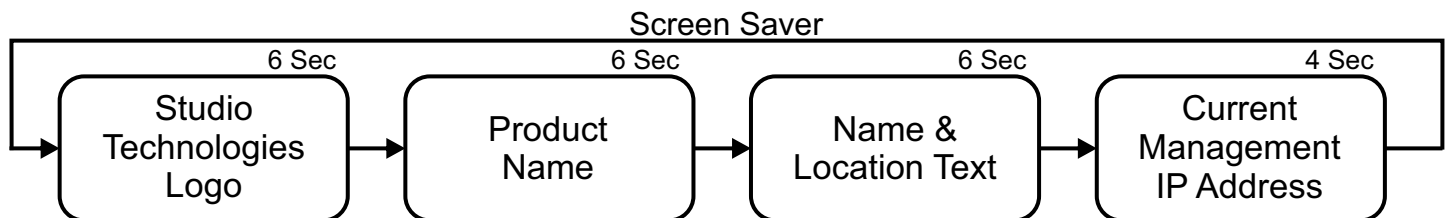
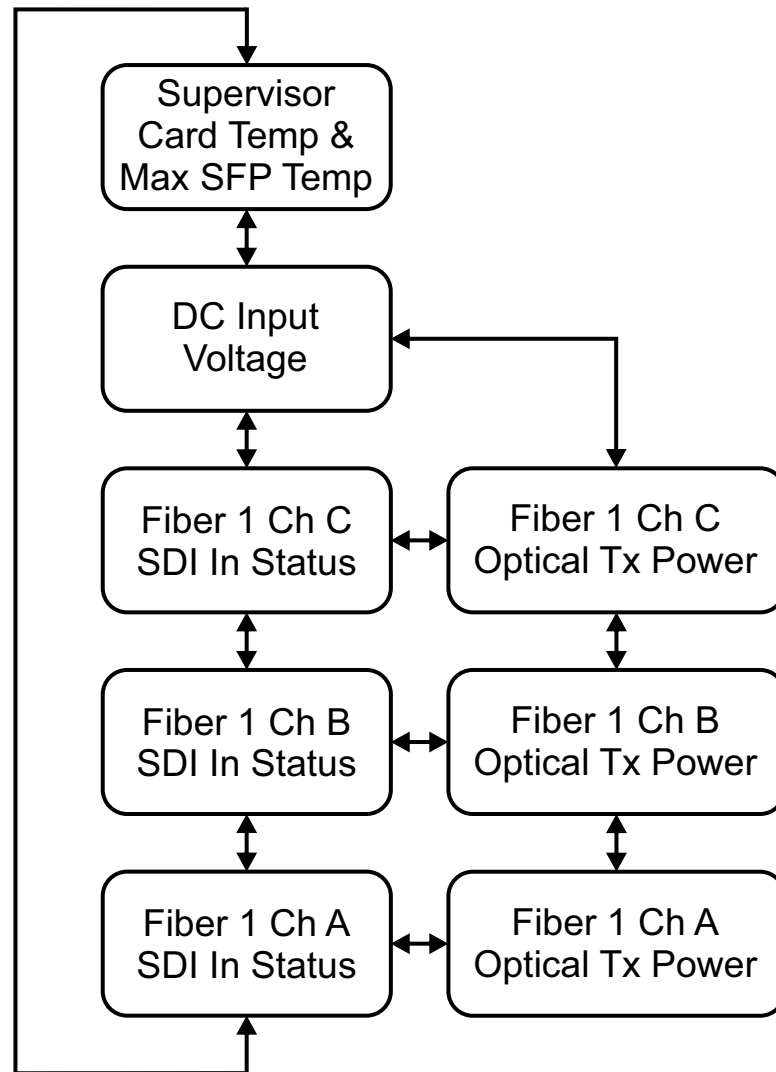


Model 410-3T/3R SDI-Over-Fiber Transport System Menu Structure



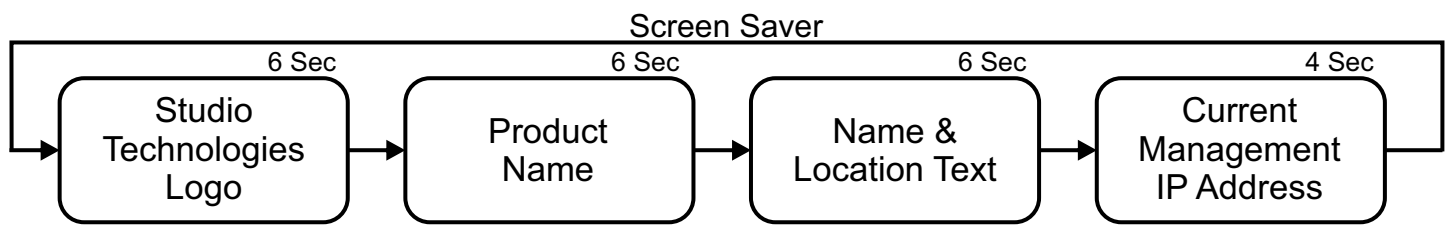
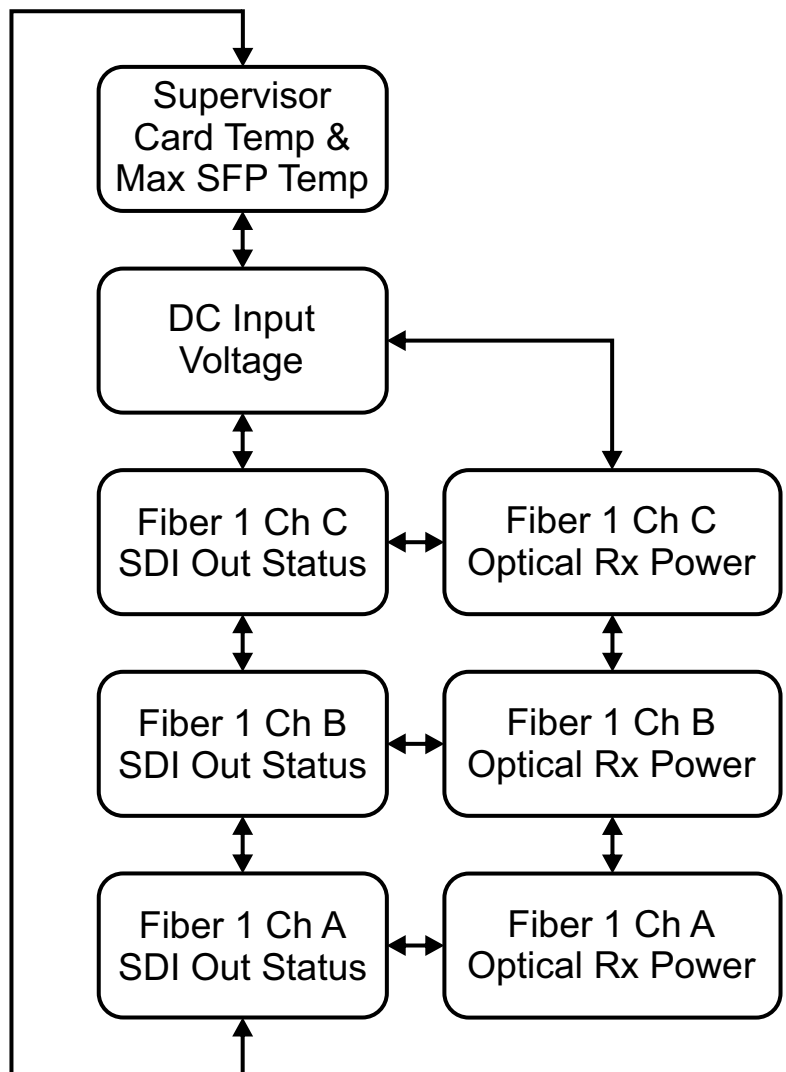
1. Screen saver automatically activates two minutes after last button press.
2. Press left and right buttons simultaneously to immediately enter screen saver mode.
3. Pressing Enter while screen saver is active goes directly to Current Management IP Address page.

Model 410-3T SDI-Over-Fiber Transport System Menu Structure



1. Screen saver automatically activates two minutes after last button press.
2. Press left and right buttons simultaneously to immediately enter screen saver mode.
3. Pressing Enter while screen saver is active goes directly to Current Management IP Address page.

Model 410-3R SDI-Over-Fiber Transport System Menu Structure



1. Screen saver automatically activates two minutes after last button press.
2. Press left and right buttons simultaneously to immediately enter screen saver mode.
3. Pressing Enter while screen saver is active goes directly to Current Management IP Address page.