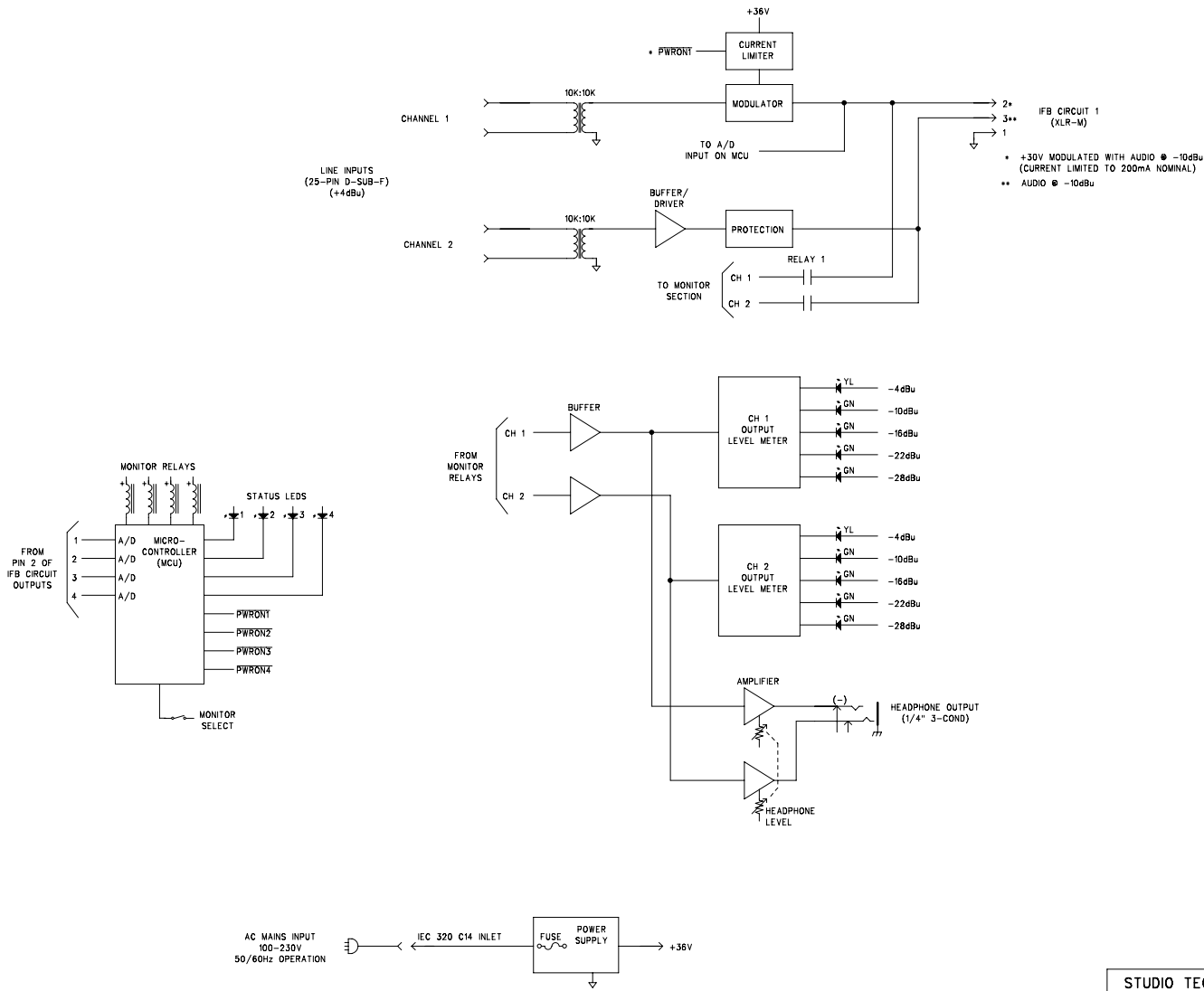


— CIRCUITRY IDENTICAL FOR IFB CIRCUITS 2-4 —



\* FOR SN 00230 AND LATER

STUDIO TECHNOLOGIES, INC.		
MODEL 41 INTERFACE BLOCK DIAGRAM		
DRAWING NO. 31123	DATE 11/01/06	PAGE 01 OF 01

M41BD\_B