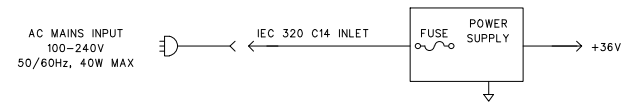
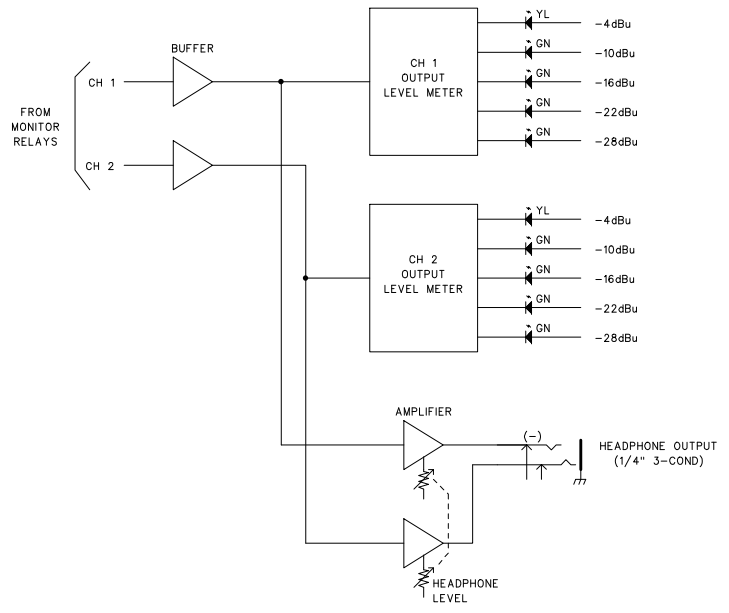
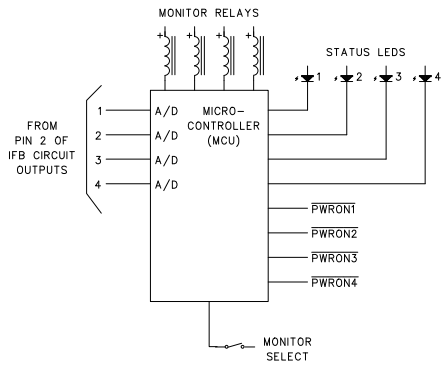
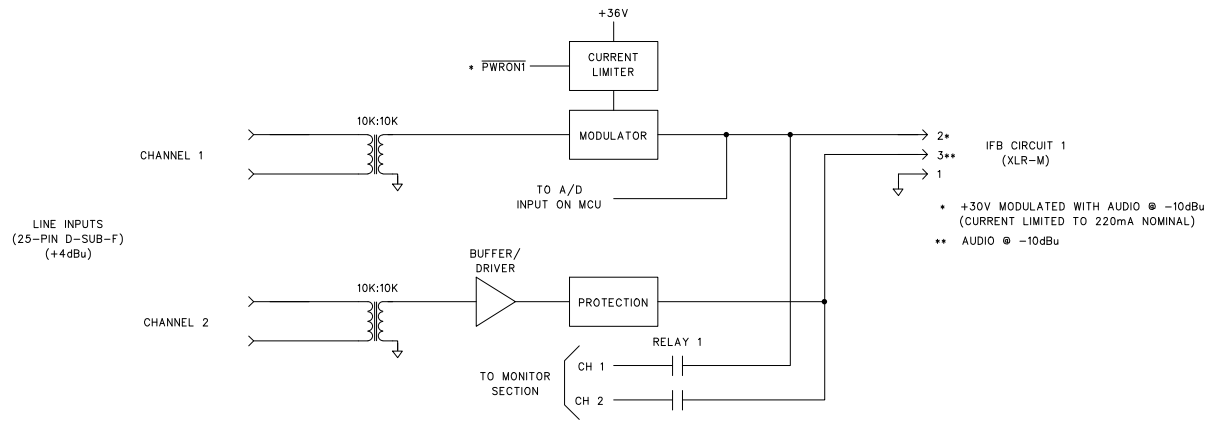


— CIRCUITRY IDENTICAL FOR IFB CIRCUITS 2-4 —



M41BD_C

STUDIO TECHNOLOGIES, INC.

MODEL 41 INTERFACE
BLOCK DIAGRAM

DRAWING NO.	DATE	PAGE
31123	11/27/13	01 OF 01

FOR SN 01051 AND LATER