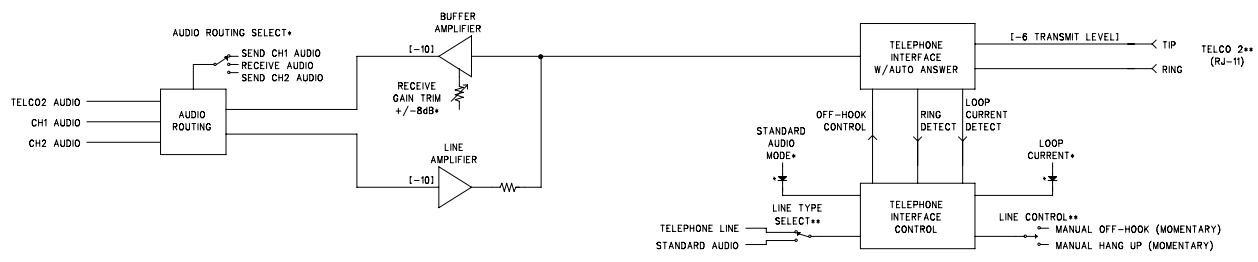
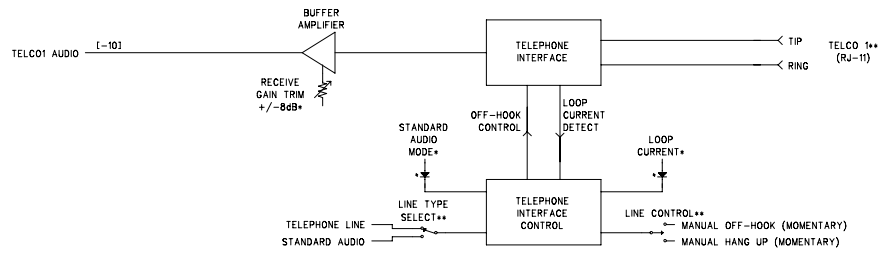


* LOCATED ON FRONT PANEL
 ** LOCATED ON BACK PANEL
 *** FACTORY CONFIGURATION MUTES AUDIO DURING INTERRUPT.
 ADD RESISTORS TO DROP, RATHER THAN FULLY MUTE, PROGRAM AUDIO.
 [NOMINAL LEVEL IN dBu]

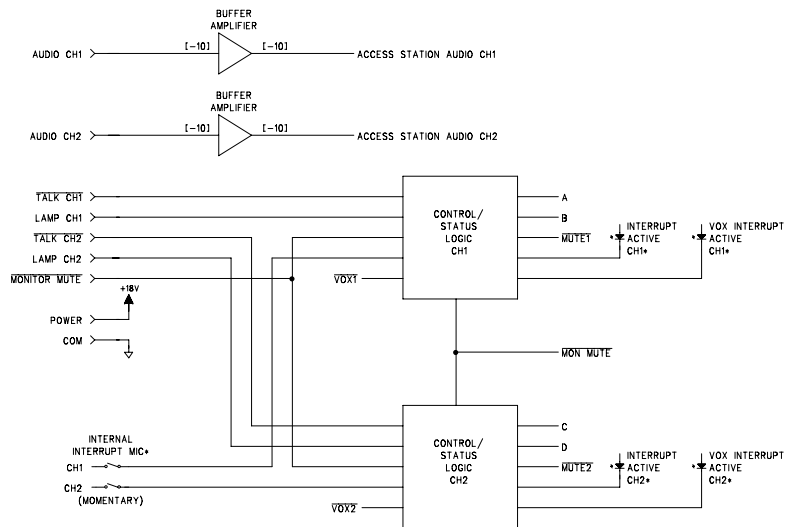
STUDIO TECHNOLOGIES, INC.		
IFB PLUS SERIES MODEL 2 CENTRAL CONTROLLER BLOCK DIAGRAM		
DRAWING NO.	DATE	PAGE
31223	11/29/05	01 OF 06

M2BD_A



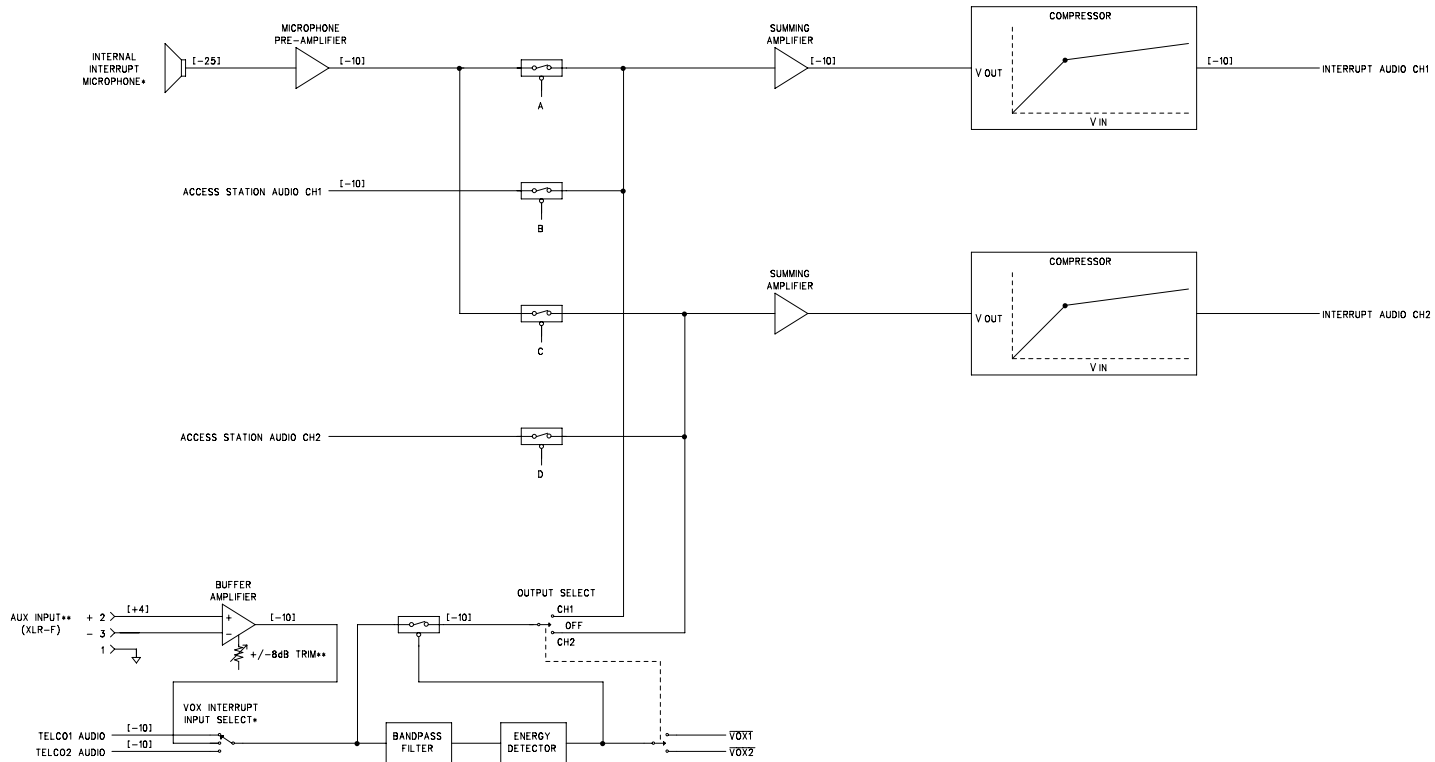
* LOCATED ON FRONT PANEL
 ** LOCATED ON BACK PANEL
 [NOMINAL LEVEL IN dBu]

AUDIO, STATUS, AND
CONTROL SIGNALS
TO/FROM
ACCESS STATION(S)**
(9-PIN D-TYPE F)

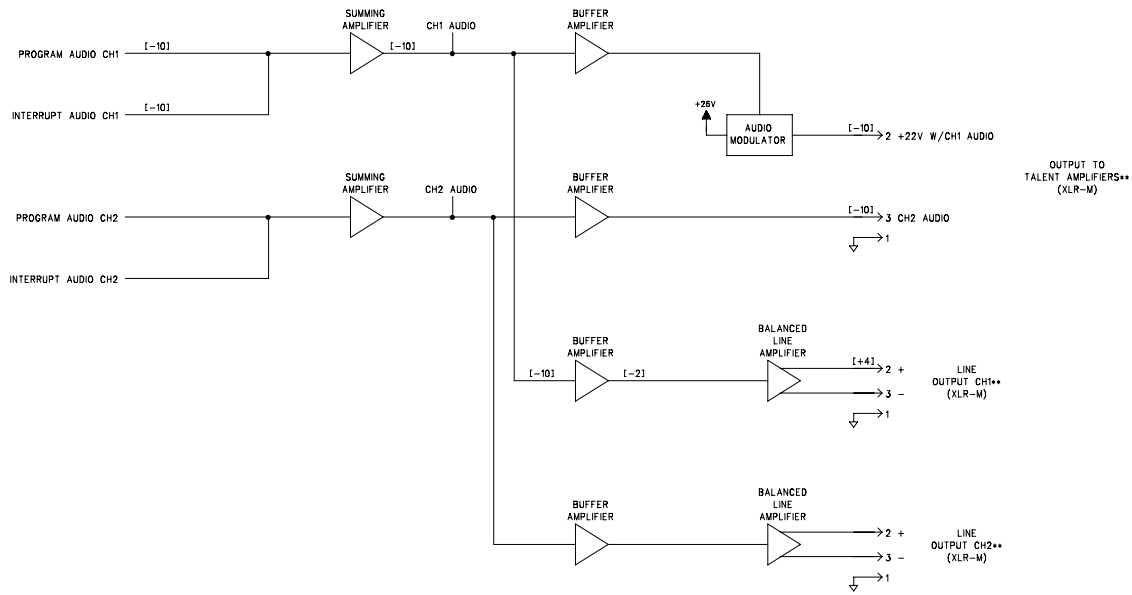


STUDIO TECHNOLOGIES, INC.
IFB PLUS SERIES
MODEL 2 CENTRAL CONTROLLER
BLOCK DIAGRAM

* LOCATED ON FRONT PANEL
** LOCATED ON BACK PANEL
[NOMINAL LEVEL IN dBu]

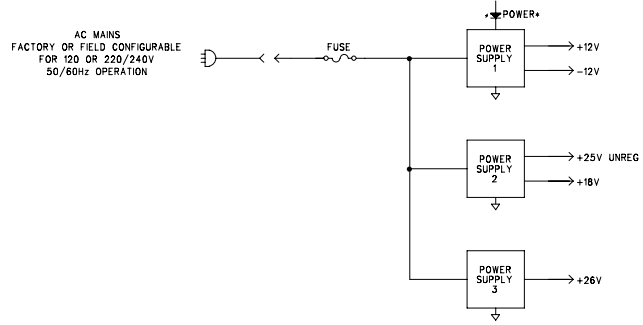
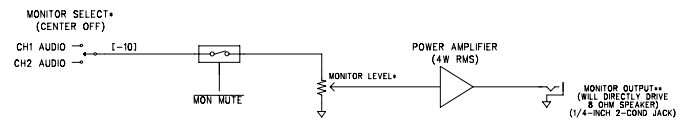
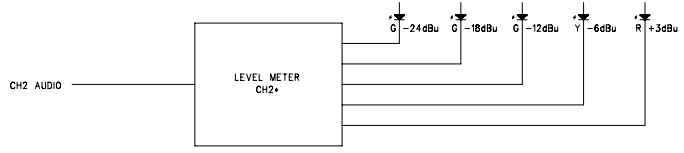
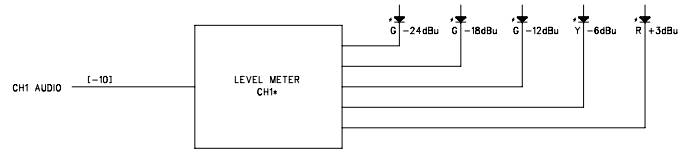


* LOCATED ON FRONT PANEL
 ** LOCATED ON BACK PANEL
 (NOMINAL LEVEL IN dBu)



* LOCATED ON FRONT PANEL
 ** LOCATED ON BACK PANEL
 [NOMINAL LEVEL IN dBu]

STUDIO TECHNOLOGIES, INC.		
IFB PLUS SERIES		
MODEL 2 CENTRAL CONTROLLER		
BLOCK DIAGRAM		
DRAWING NO.	DATE	PAGE
31223	11/29/05	05 OF 06



STUDIO TECHNOLOGIES, INC.		
IFB PLUS SERIES		
MODEL 2 CENTRAL CONTROLLER		
BLOCK DIAGRAM		
DRAWING NO.	DATE	PAGE
31223	11/29/05	06 OF 06

* LOCATED ON FRONT PANEL
 ** LOCATED ON BACK PANEL
 [NOMINAL LEVEL IN dBu]