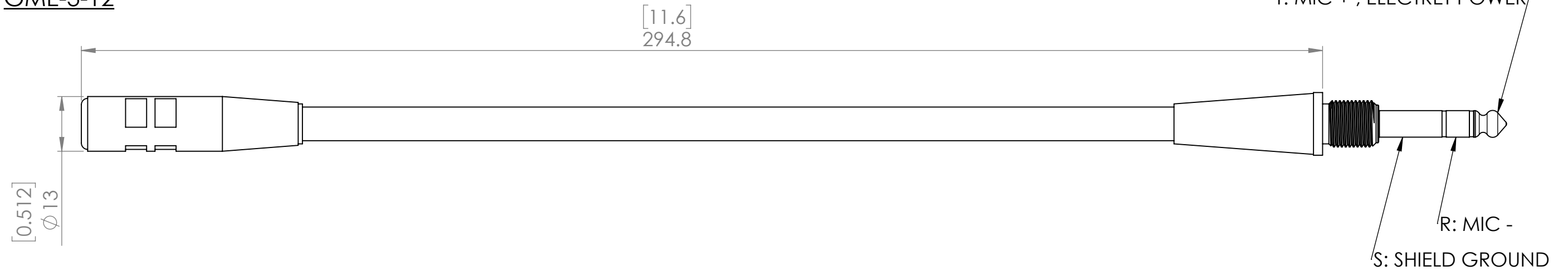


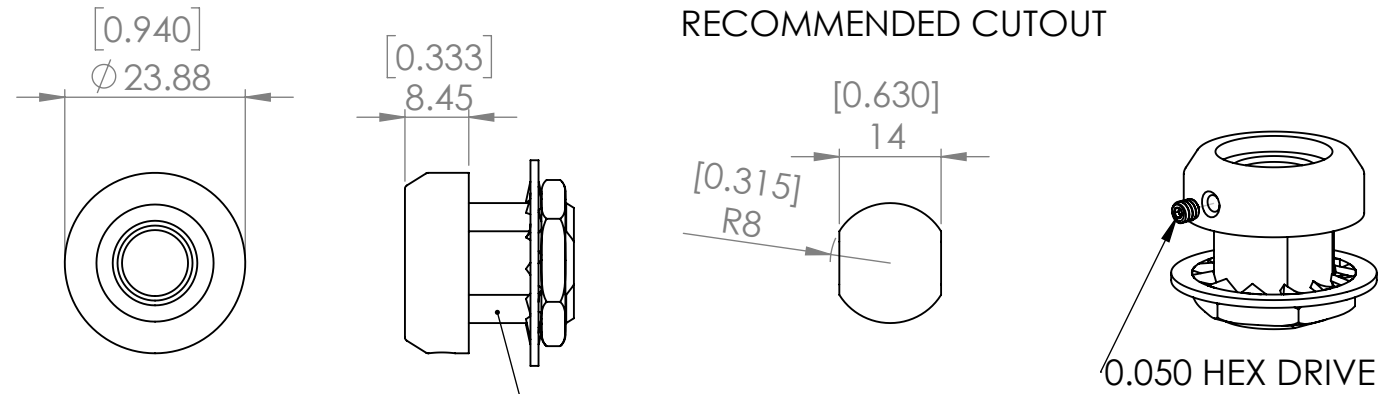
REV
A

GME-3-12

T: MIC + , ELECTRET POWER



14322 Panel Bushing



MAXIMUM PANEL THICKNESS 0.300

PROPRIETARY AND CONFIDENTIAL

THE INFORMATION CONTAINED IN THIS DRAWING IS THE SOLE PROPERTY OF **STUDIO TECHNOLOGIES, INC.** ANY REPRODUCTION IN PART OR AS A WHOLE WITHOUT THE WRITTEN PERMISSION OF STUDIO TECHNOLOGIES, INC. IS PROHIBITED.

	NAME	DATE
DRAWN	MO	10/1/2021
CHECKED		

TITLE:
GME-3-12 WITH BUSHING

TYPE DIMENSION	TOLERANCES:
FRACTIONAL	± 1/64
ANGULAR BEND	± .5
ONE PLACE DECIMAL	± .050
TWO PLACE DECIMAL	± .010
THREE PLACE DECIMAL	± .005

SIZE DWG. NO.
B 32359, 14322

SCALE: 1:1 SHEET 1 OF 1