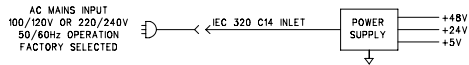
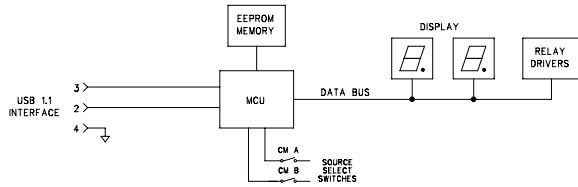
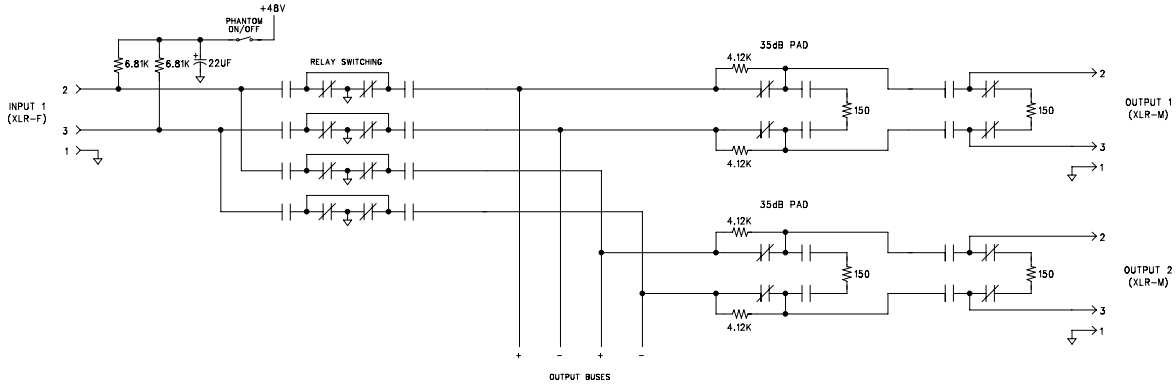


CIRCUITRY IDENTICAL FOR INPUT CIRCUITS 2-B



M90BD\_A

STUDIO TECHNOLOGIES, INC.

MODEL 90  
SWITCHER  
BLOCK DIAGRAM

DRAWING NO.	DATE	PAGE
30937	10/31/06	01 OF 01