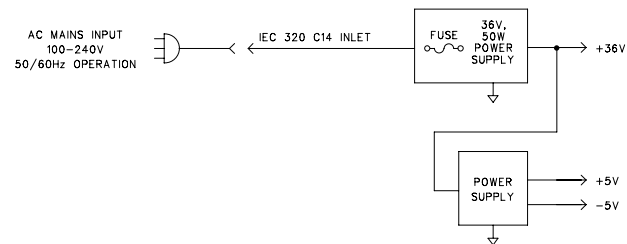
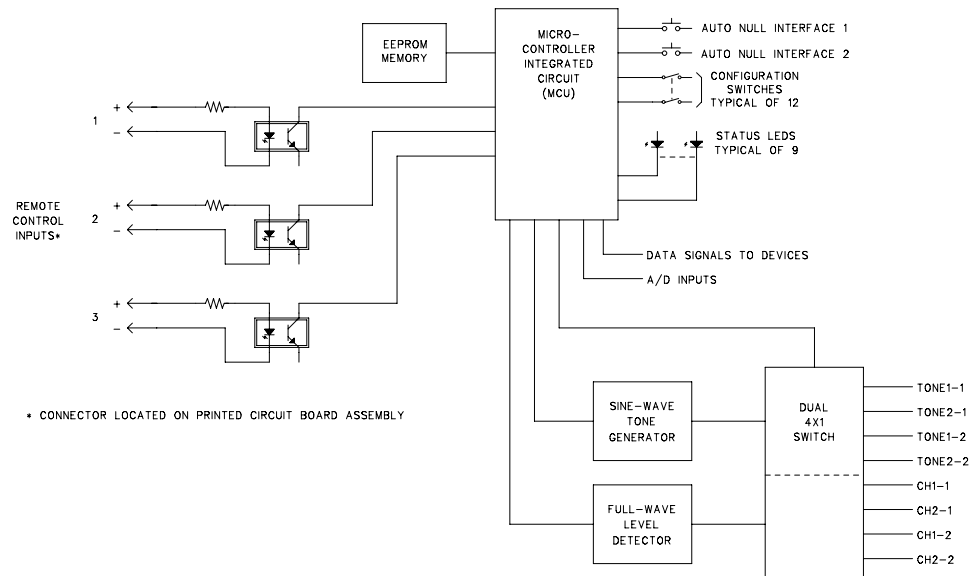


M47BD_A

STUDIO TECHNOLOGIES, INC.		
MODEL 47 DUAL 2-WIRE ANALOG AUDIO TO 4-WIRE ANALOG AUDIO INTERFACE BLOCK DIAGRAM		
DRAWING NO.	DATE	PAGE
31233	07/15/10	01 OF 02



STUDIO TECHNOLOGIES, INC.

MODEL 47
 DUAL 2-WIRE ANALOG AUDIO TO
 4-WIRE ANALOG AUDIO INTERFACE
 BLOCK DIAGRAM

DRAWING NO.

DATE

PAGE

31233

07/15/10

02 OF 02