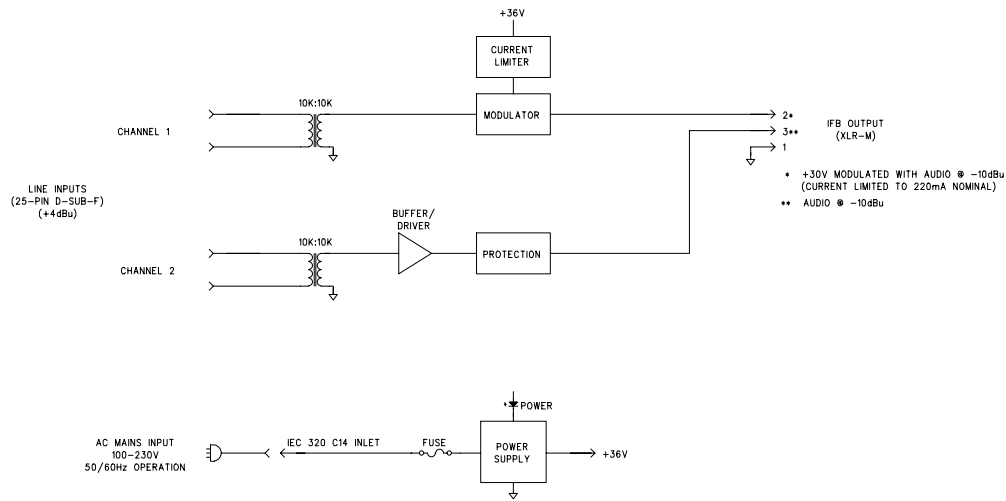


— CIRCUITRY IDENTICAL FOR CHANNELS 1-4 —



M42BD_B

STUDIO TECHNOLOGIES, INC.

MODEL 42 INTERFACE
BLOCK DIAGRAM

DRAWING NO.	DATE	PAGE
30223	06/23/04	01 OF 01