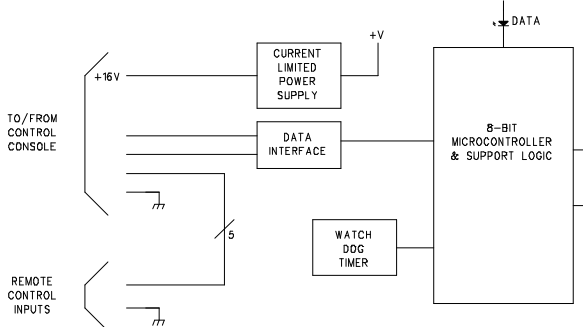
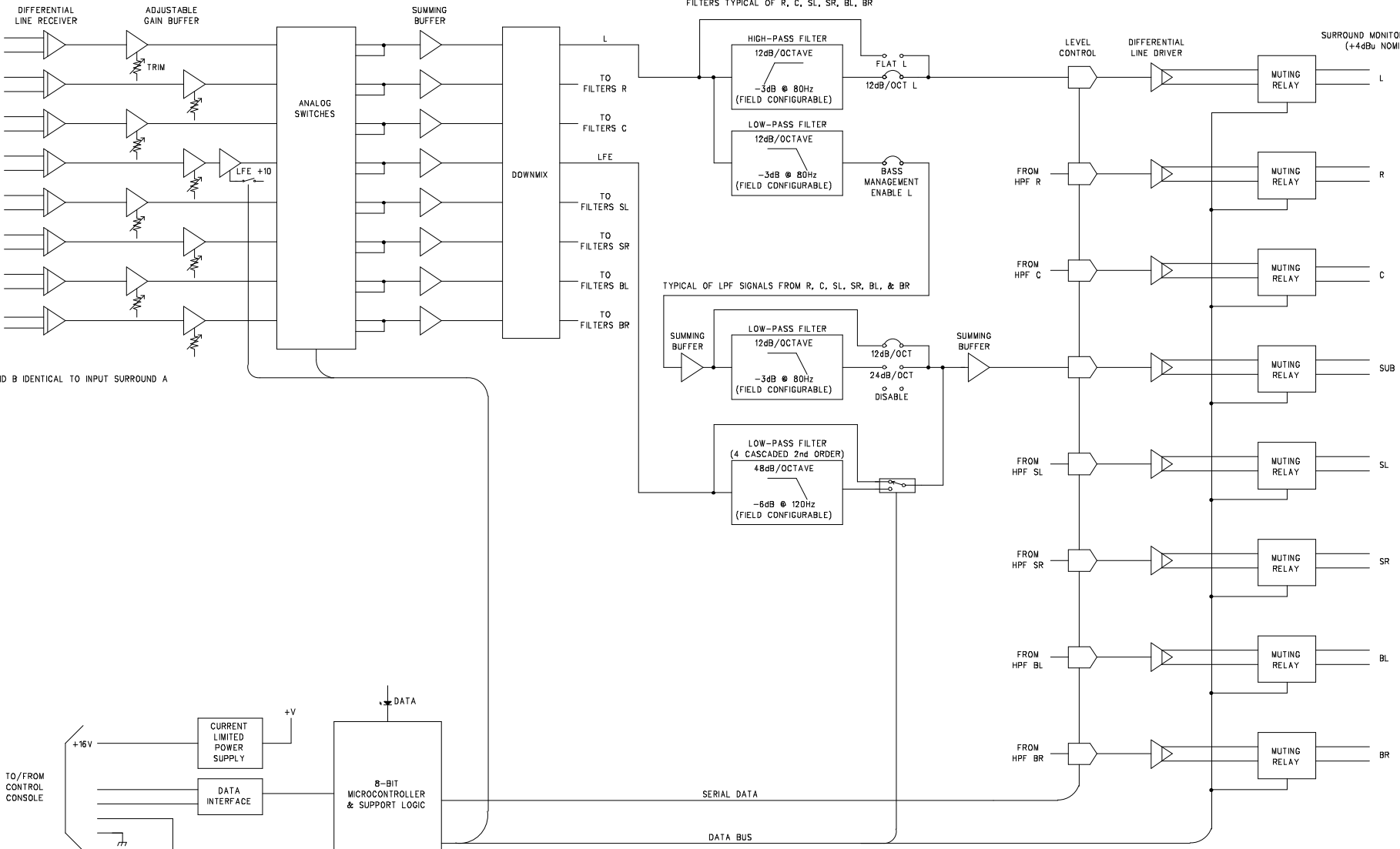


INPUT SURROUND A (-12dBV TO +6dBu)

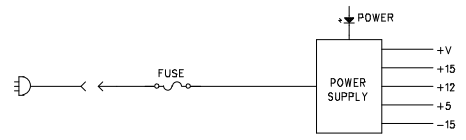
INPUT SURROUND B IDENTICAL TO INPUT SURROUND A

FILTERS TYPICAL OF R, C, SL, SR, BL, BR

SURROUND MONITOR OUTPUT (+4dBu NOMINAL)

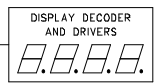
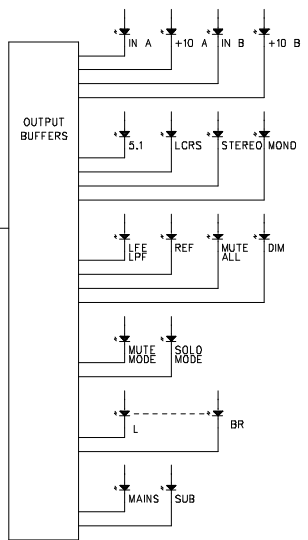
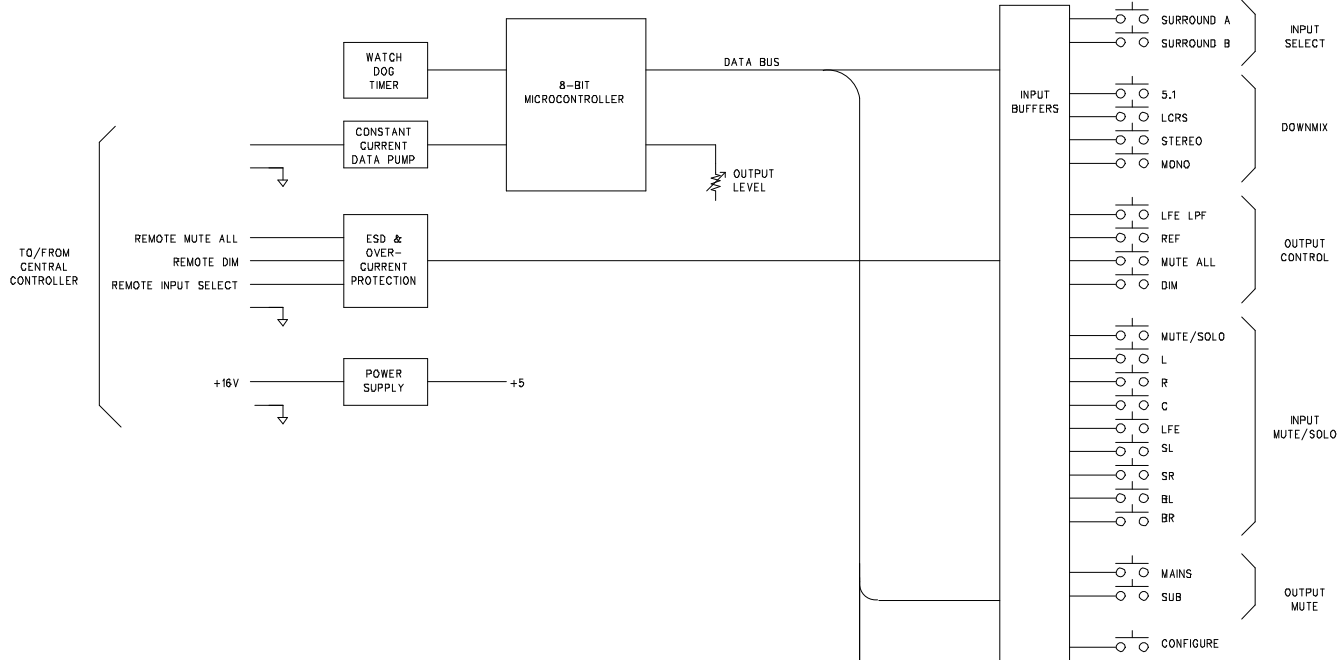


AC MAINS FACTORY CONFIGURABLE FOR 100, 120, or 220/240V 50/60Hz OPERATION



THIS BLOCK DIAGRAM APPLICABLE FOR SN 00151 AND LATER

M78BD_A		
<b>STUDIO TECHNOLOGIES, INC.</b>		
<b>MODEL 78 CENTRAL CONTROLLER BLOCK DIAGRAM</b>		
DRAWING NO.	DATE	PAGE
30870	05/09/02	01 OF 01



M79BD\_A

STUDIO TECHNOLOGIES, INC.		
MODEL 79 CONTROL CONSOLE BLOCK DIAGRAM		
DRAWING NO. 30871	DATE 05/09/02	PAGE 01 OF 01

THIS BLOCK DIAGRAM APPLICABLE FOR SN 00151 AND LATER