

M68ABD_A

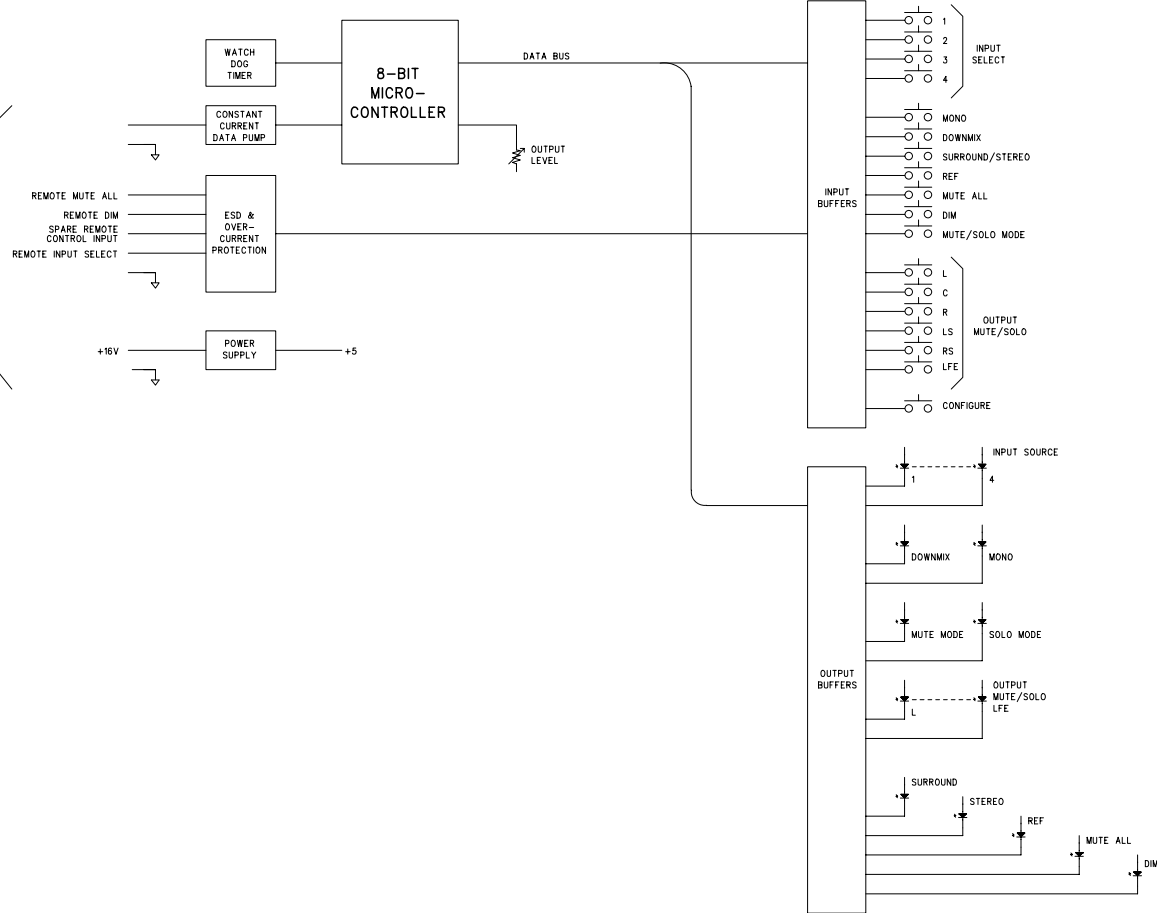
STUDIO TECHNOLOGIES, INC.

MODEL 68A
CENTRAL CONTROLLER
BLOCK DIAGRAM

DRAWING NO.	DATE	PAGE
30948	01/24/01	01 of 01

THIS BLOCK DIAGRAM APPLICABLE FOR SN 00501 AND LATER

TO/FROM
MODEL 68A
CENTRAL
CONTROLLER



M69ABD_A

STUDIO TECHNOLOGIES, INC.		
MODEL 69A CONTROL CONSOLE BLOCK DIAGRAM		
DRAWING NO. 30949	DATE 12/20/00	PAGE 01 of 01

THIS BLOCK DIAGRAM APPLICABLE FOR SN 00501 AND LATER