

ALL MONITOR OUTPUTS AND BYPASS INPUTS +4dBu NOMINAL

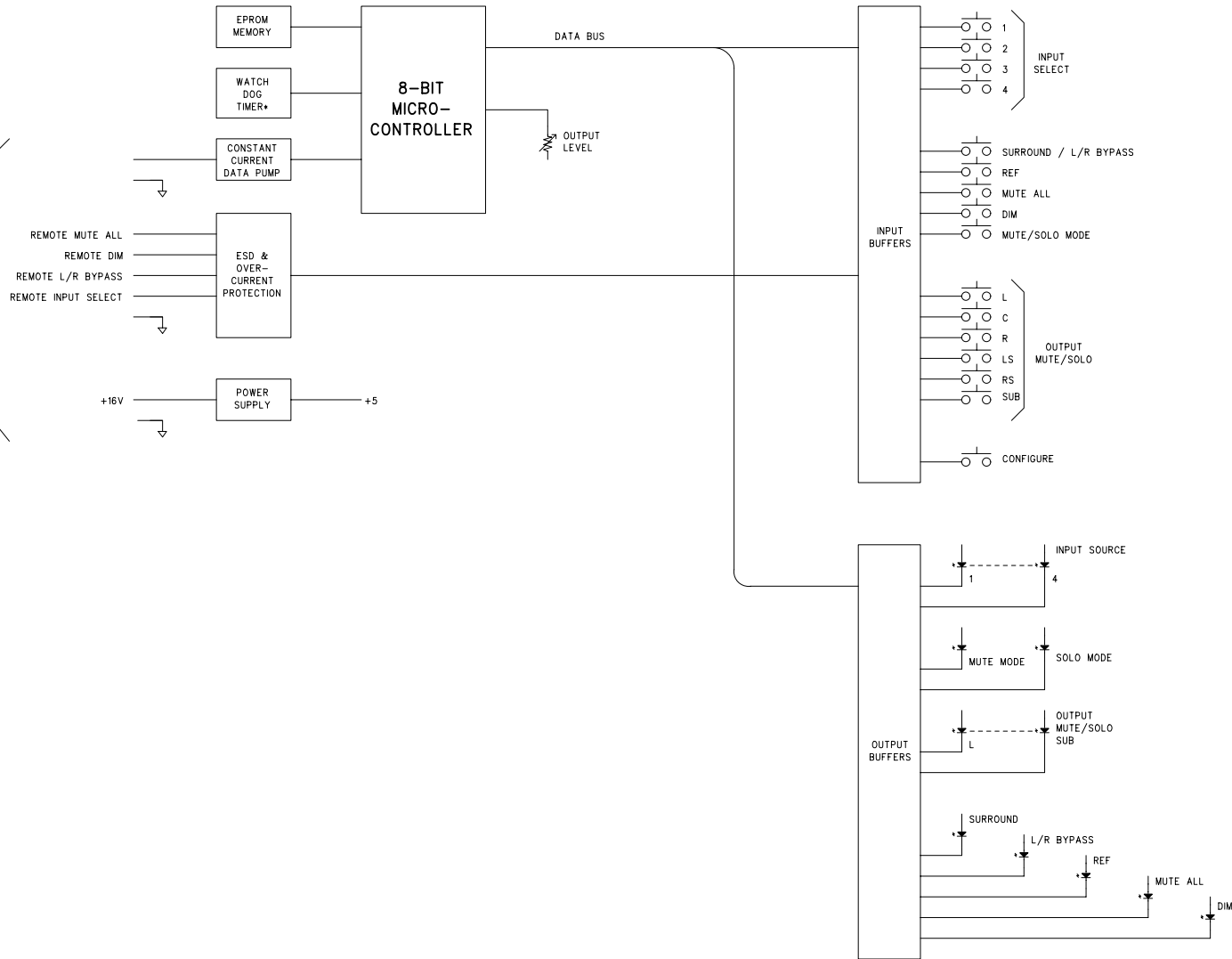
ALL INPUTS +4dBu NOMINAL

THIS BLOCK DIAGRAM APPLICABLE FOR SN 00261 AND LATER

- * EXTERNAL WATCH DOG TIMER NOT PRESENT ON SN 00150 TO 00260
- ** SEPARATE MUTING AND BYPASS RELAYS NOT PRESENT ON SN 00150 TO 00260

M68BD_A		
STUDIO TECHNOLOGIES, INC.		
MODEL 68 CENTRAL CONTROLLER BLOCK DIAGRAM		
DRAWING NO.	DATE	PAGE
30786	06/02/99	01 OF 01

TO/FROM
MODEL 68
CENTRAL
CONTROLLER



THIS BLOCK DIAGRAM APPLICABLE FOR SN 00148 AND LATER

• EXTERNAL WATCH DOG TIMER NOT PRESENT ON SN 00148 TO 00235

M69BD_A

STUDIO TECHNOLOGIES, INC.

MODEL 69
CONTROL CONSOLE
BLOCK DIAGRAM

DRAWING NO.	DATE	PAGE
30787	06/02/99	01 OF 01