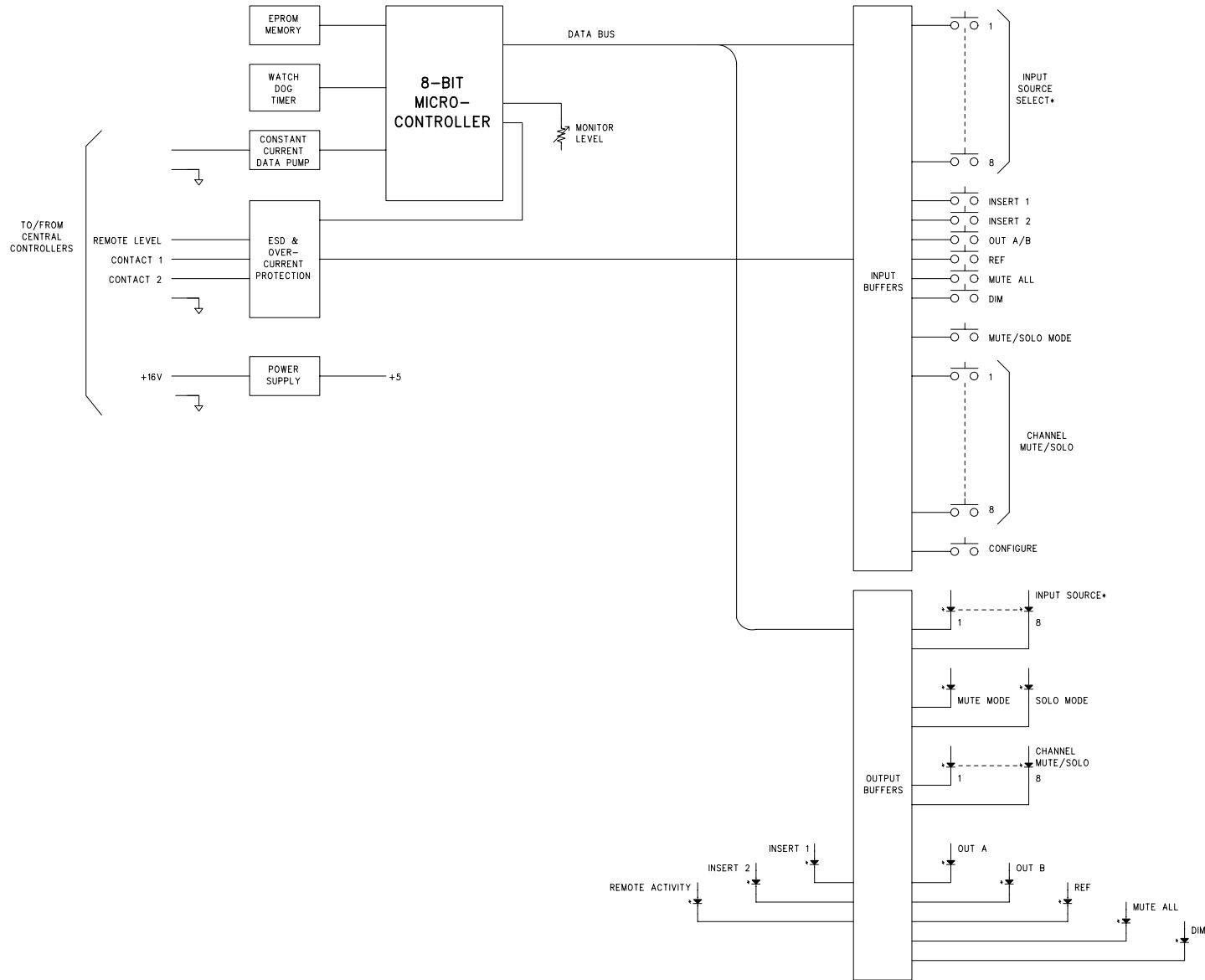


THIS BLOCK DIAGRAM APPLICABLE FOR SN 00351 AND LATER

STUDIO TECHNOLOGIES, INC.		
MODEL 58 CENTRAL CONTROLLER BLOCK DIAGRAM		
DRAWING NO. 30755	DATE 06/02/99	PAGE 01 OF 01

M58BD\_C



M59BD\_B

STUDIO TECHNOLOGIES, INC.		
MODEL 59 CONTROL CONSOLE BLOCK DIAGRAM		
DRAWING NO. 30756	DATE 06/02/99	PAGE 01 OF 01

THIS BLOCK DIAGRAM APPLICABLE FOR SN 00231 AND LATER

\* 5-8 NOT INCLUDED IN STANDARD VERSION