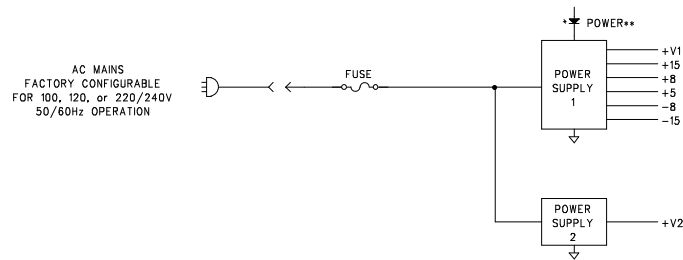
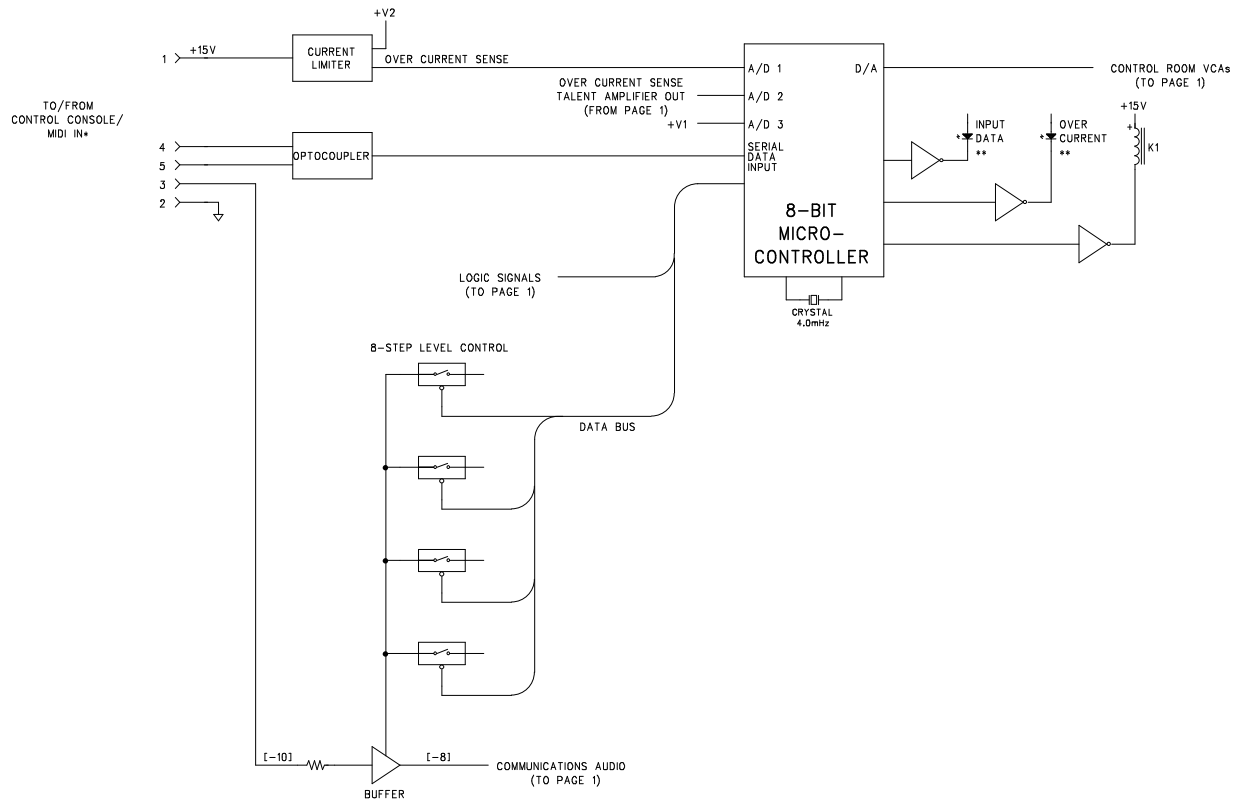


FOR SERIAL NUMBERS 00280 AND LATER

\* LOCATED ON BACK PANEL  
 \*\* W/LEVEL CONTROL AT MAXIMUM  
 (NOMINAL LEVEL IN dBu)

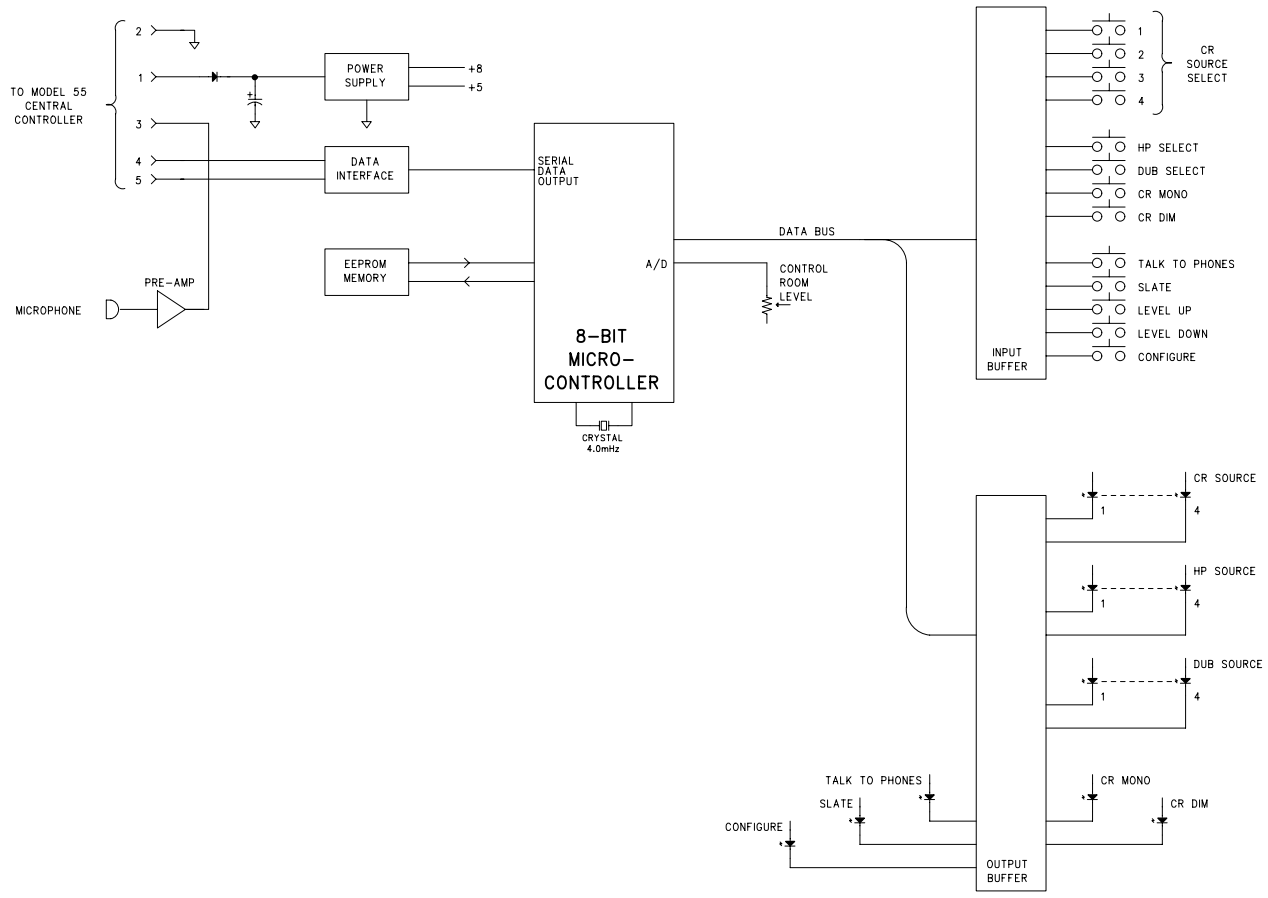
M55BD_C		
STUDIO TECHNOLOGIES, INC.		
MODEL 55 CENTRAL CONTROLLER BLOCK DIAGRAM		
DRAWING NO.	DATE	PAGE
30348	06/07/02	01 of 02



FOR SERIAL NUMBERS 00280 AND LATER

\* LOCATED ON BACK PANEL  
 \*\* LOCATED ON FRONT PANEL  
 (NOMINAL LEVEL IN dBu)

STUDIO TECHNOLOGIES, INC.		
MODEL 55 CENTRAL CONTROLLER BLOCK DIAGRAM		
DRAWING NO. 30348	DATE 06/07/02	PAGE 02 of 02



M56BD\_B

STUDIO TECHNOLOGIES, INC.		
MODEL 56 CONTROL CONSOLE BLOCK DIAGRAM		
DRAWING NO. 30351	DATE 12/03/96	PAGE 01 OF 01