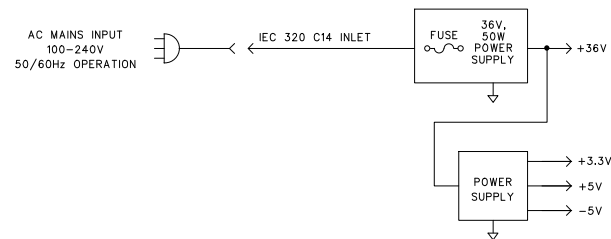
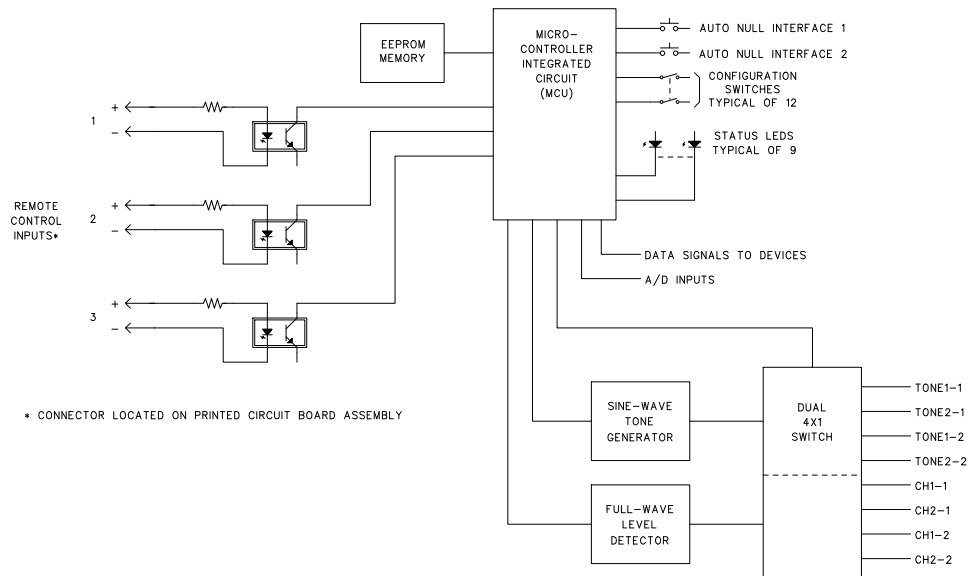


M47ABD\_A

STUDIO TECHNOLOGIES, INC.		
MODEL 47A		
DUAL 2-WIRE ANALOG AUDIO TO		
4-WIRE ANALOG AUDIO INTERFACE		
BLOCK DIAGRAM		
DRAWING NO.	DATE	PAGE
32039	09/24/14	01 OF 02



STUDIO TECHNOLOGIES, INC.

MODEL 47A  
 DUAL 2-WIRE ANALOG AUDIO TO  
 4-WIRE ANALOG AUDIO INTERFACE  
 BLOCK DIAGRAM

DRAWING NO.

DATE

PAGE

32039

09/24/14

02 OF 02