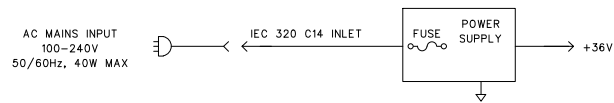
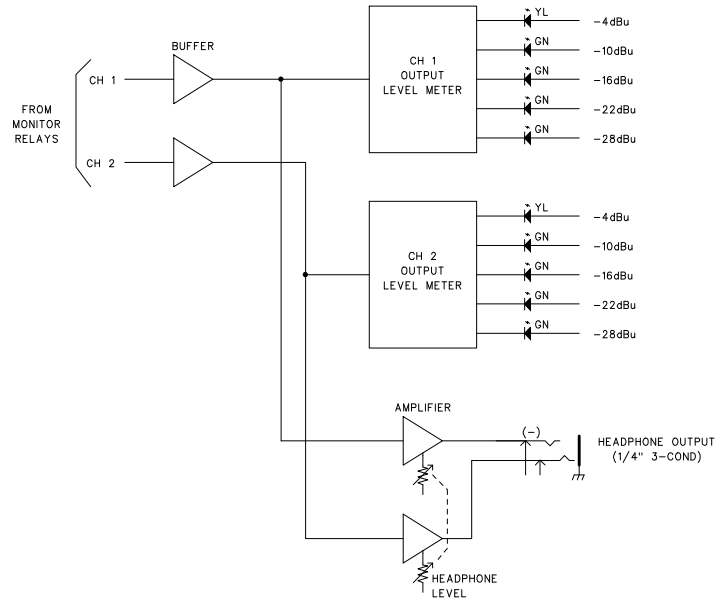
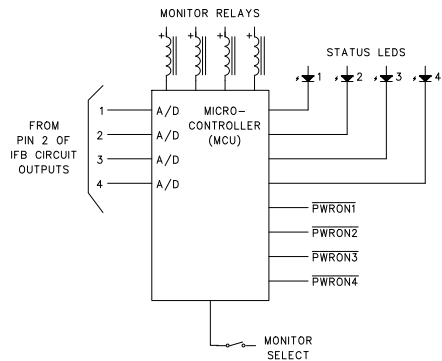
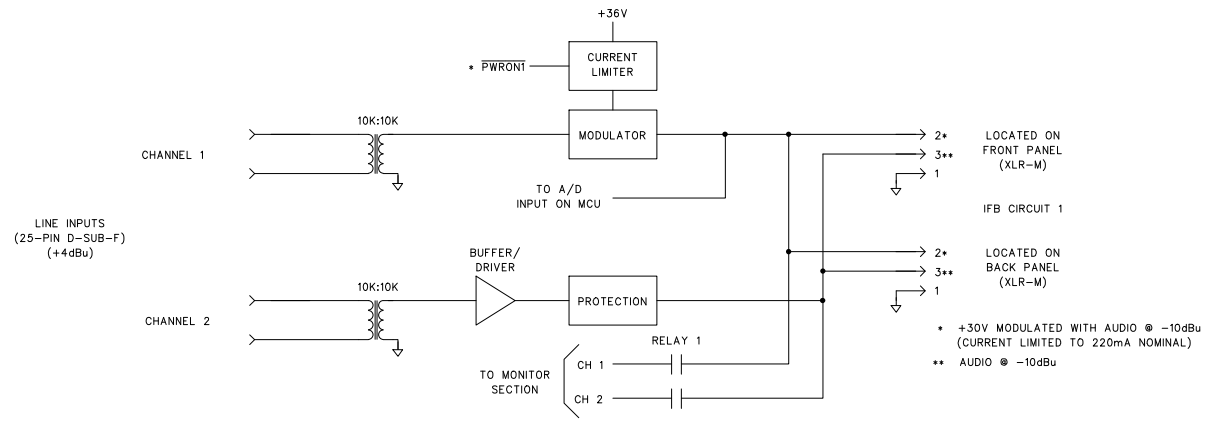


— CIRCUITRY IDENTICAL FOR IFB CIRCUITS 2-4 —



M42ABD\_B

STUDIO TECHNOLOGIES, INC.

MODEL 42A INTERFACE  
BLOCK DIAGRAM

DRAWING NO.	DATE	PAGE
31395	11/27/13	01 OF 01