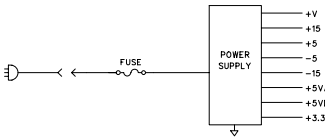


• FOR MODELS 76B AND 761 ONLY

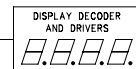
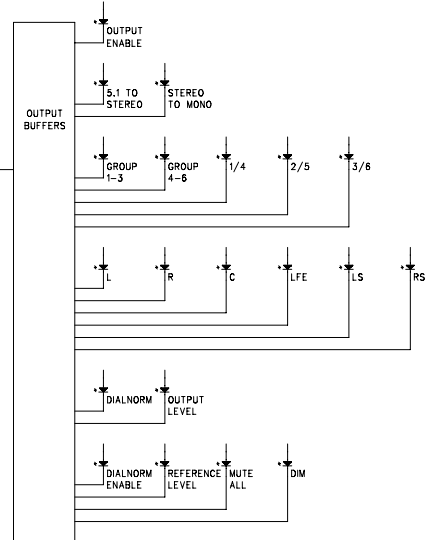
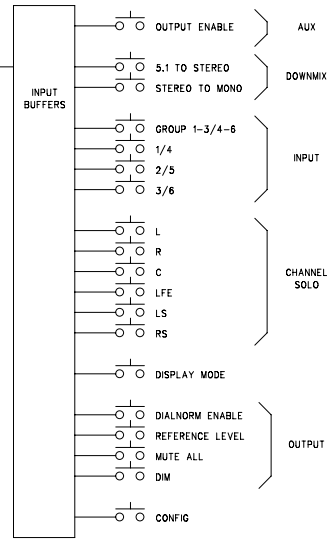
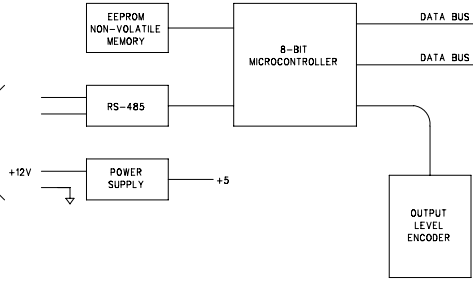
AC MAINS
FACTORY CONFIGURABLE
FOR 100, 120, or 220/240V
50/60Hz OPERATION



STUDIO TECHNOLOGIES, INC.		
MODEL 76/76B/761 CENTRAL CONTROLLER BLOCK DIAGRAM		
DRAWING NO.	DATE	PAGE
31308	02/14/08	01 of 01

M76BD_C

TO/FROM
CENTRAL
CONTROLLER



M77BBD_A

STUDIO TECHNOLOGIES, INC.		
MODEL 77B CONTROL CONSOLE BLOCK DIAGRAM		
DRAWING NO. 31369	DATE 03/26/08	PAGE 01 of 01