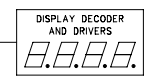
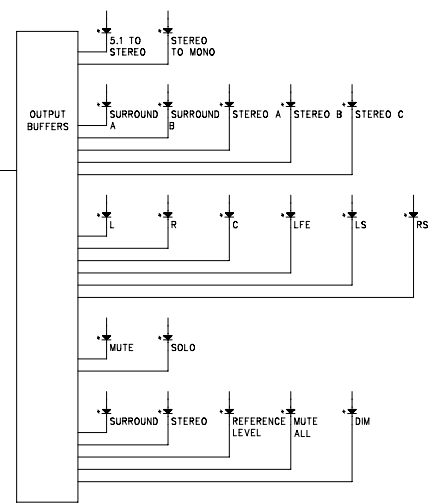
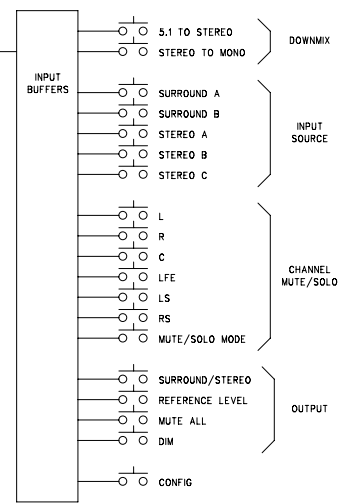
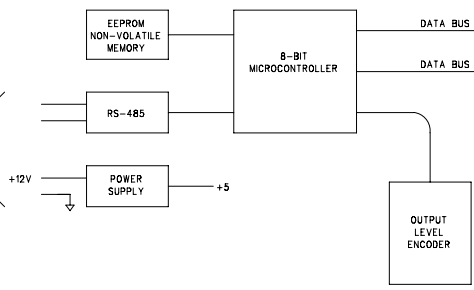


• FOR MODELS 76B AND 761 ONLY

M76BD_C

STUDIO TECHNOLOGIES, INC.		
MODEL 76/76B/761 CENTRAL CONTROLLER BLOCK DIAGRAM		
DRAWING NO.	DATE	PAGE
31308	02/14/08	01 of 01

TO/FROM
CENTRAL
CONTROLLER



M77BD_A

STUDIO TECHNOLOGIES, INC.			
MODEL 77 CONTROL CONSOLE BLOCK DIAGRAM			
DRAWING NO.	DATE	PAGE	
31368	03/26/08	01	OF 01