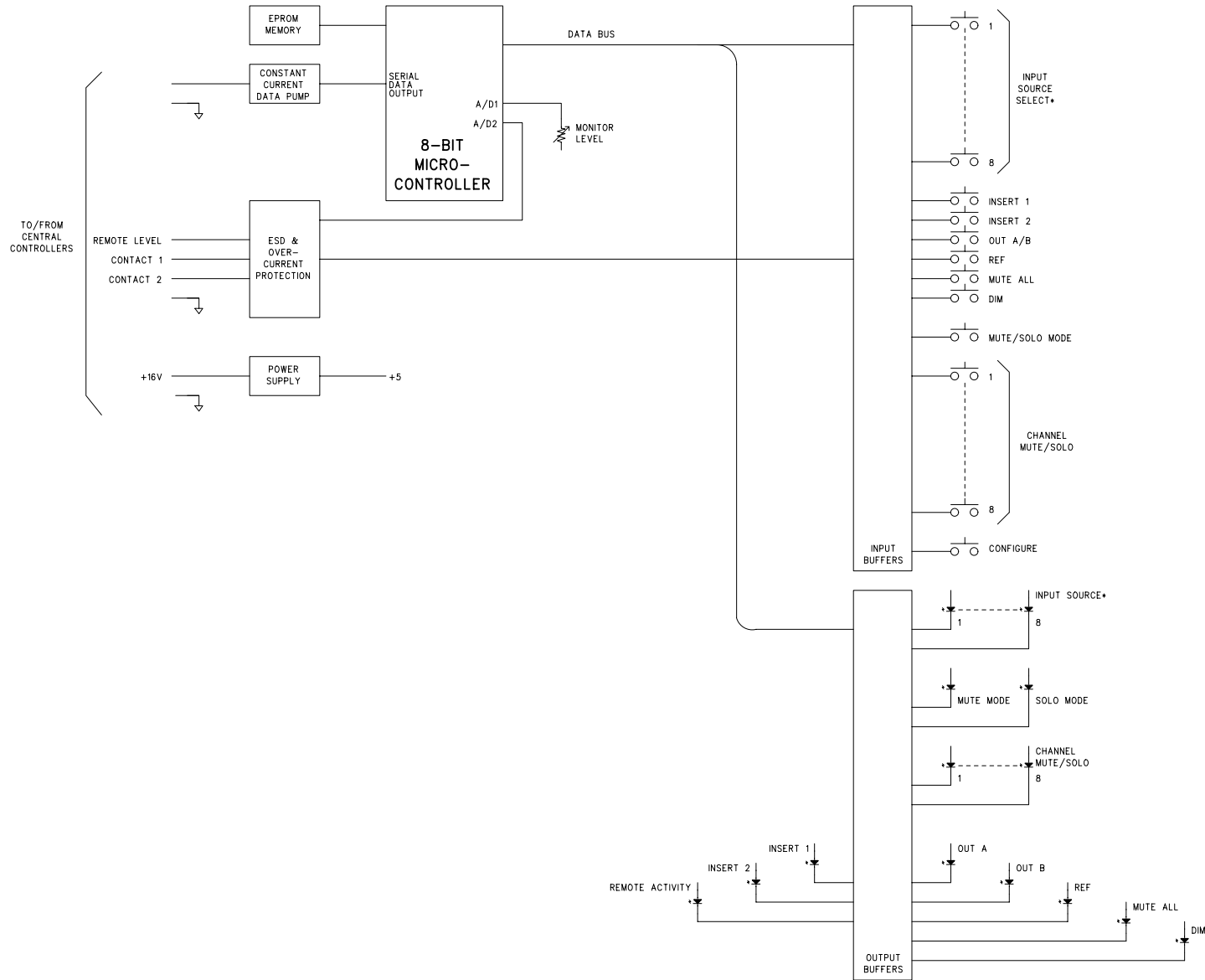


THIS BLOCK DIAGRAM APPLICABLE FOR SN 00151 TO 00350

M58BD_A

STUDIO TECHNOLOGIES, INC.		
MODEL 58 CENTRAL CONTROLLER BLOCK DIAGRAM		
DRAWING NO. 30755	DATE 11/17/97	PAGE 01 OF 01



M59BD_A

STUDIO TECHNOLOGIES, INC.

MODEL 59
CONTROL CONSOLE
BLOCK DIAGRAM

DRAWING NO.	DATE	PAGE
30756	11/17/97	01 OF 01

THIS BLOCK DIAGRAM APPLICABLE FOR SN 00151 TO 00230

* 5-8 NOT INCLUDED IN STANDARD VERSION